

Japanparts®



CATALOGO - CATALOGUE
ALBERI TRASMISSIONE
DRIVE SHAFT
2024



www.japanparts.eu

JAPANPARTS S.R.L.

Via della Meccanica, 1/A - 37139 - Verona (IT)

tel. +39 045 8517711 - fax + 39 045 8510714

info@japanparts.it

| APPLICAZIONE (APPLICATION) | ANNO (YEAR) | CODICE (CODE) | O.E. (OR. NUMB.) | DIAMETRO (DIAMETER) | | | | LUNGH. (LENGH.) |
|---|----------------|------------------|---|---------------------|--------------------|--------------------|--------------------|--------------------|
| | | | | EST. 1 (EXT. 1) | EST. 2 (EXT. 2) | FORO 1 (HOLE 1) | FORO 2 (HOLE 2) | |
| A4 (B8) | 07 > 15 | AC-0088 | 8K0521101G 8K0521101N 8K0521101AA | 99,7 | | 86 | | 1478 |
| A5 SPORTBACK (8TA) | 07 > 16 | AC-0088 | 8K0521101G 8K0521101N 8K0521101AA | 99,7 | | 86 | | 1478 |
| A6 (C6) | 04 > 12 | AC-0082 | 4F0521101F 4F0521101B | 99,7 | 99,7 | 86 | 86 | 1763 |
| A8 (4H) (FORI : 6) - (ALESAGGIO: 8 mm.) | 09 > 17 | AC-0089 | 4H4521101B 4H4521101D 4H4521101F | 100 | | | | 1801 |
| Q3 (8U) | 11 > 18 | AC-0024 | 5N0521101C 5N0521101E 5N0521101M | 16 | 16 | 96 | 105 | 2138 |
| Q5 (8RB) | 08 > 12 | AC-0022 | 8R0521101F 8R0521101L 8R0521101M | 99,7 | | 86 | | 1494 |
| Q5 (8RB) | 08 > 12 | AC-0023 | 8R0521101E 8R0521101K 8R0521101P | 99,7 | | 86 | | 1476 |
| Q5 (8RB) | 08 > 12 | AC-0103 | 8R0521101B | 99,7 | | 86 | | 1493 |
| Q7 (4L) (LATO ANTERIORE) | 08 > 15 | AC-0104 | 7L0521101H | 99,47 | 99,47 | 86 | 86 | 632 |
| Q7 (4L) (LATO POSTERIORE) | 08 > 15 | AC-0032 | 7L8521102S 7L8521105G 7L8521105L | 32,12 | 30,12 | | | 1562 |
| Q7 (4M) | 15 > | AC-0032 | 7L8521102S 7L8521105G 7L8521105L | 32,12 | 30,12 | | | 1562 |
| | | | | | | | | |
| | | | | | | | | |

N.B.: I CODICI O.E. ED IL LORO TESTO SONO RIPORTATI SOLO A TITOLO INDICATIVO
THE O.E. CODES AND THEIR TEXT ARE REPORTED ONLY FOR INDICATIVE PURPOSE

| APPLICAZIONE (APPLICATION) | ANNO (YEAR) | CODICE (CODE) | O.E. (OR. NUMB.) | DIAMETRO (DIAMETER) | | | | LUNGH. (LENGH.) |
|--|----------------|------------------|---|---------------------|--------------------|--------------------|--------------------|--------------------|
| | | | | EST. 1 (EXT. 1) | EST. 2 (EXT. 2) | FORO 1 (HOLE 1) | FORO 2 (HOLE 2) | |
| SERIE 1 (E87) | 04 > 07 | AC-0114 | 26117550770 | | | | | 1443 |
| SERIE 2 (F22 - F87) (LATO ANTERIORE) | 15 > 21 | AC-0115 | 26207529294 | | | | | 738 |
| SERIE 3 (E46) | 98 > 05 | AC-0090 | 26111229557 26117523925 | 14 | 47 | 77,8 | 84 | 1554 |
| SERIE 3 (E90 - E91 - E92) | 05 > 11 | AC-0115 | 26207529294 | | | | | 738 |
| SERIE 5 (E60 - E61) (LATO ANTERIORE) | 05 > 09 | AC-0116 | 26207534636 | | | | | 644 |
| SERIE 5 (F07) | 09 > 16 | AC-0044 | 26107562814 26107591610 26107614658 | 14 | 16 | 105 | 105 | 1622 |
| X1 (E84) | 09 > 15 | AC-0115 | 26207529294 | | | | | 738 |
| X3 (E83) (LATO ANTERIORE) | 04 > 10 | AC-0117 | 26203401609 | | | | | 710 |
| X3 (E83) (LATO POSTERIORE) | 04 > 10 | AC-0077 | 26103402134 | 47 | 14 | 84 | 96 | 1253 |
| X3 (E83) (LATO POSTERIORE) | 04 > 10 | AC-0093 | 26103402136 | 47 | 14 | 84 | 96 | 1269 |
| X5 (E53) (LATO ANTERIORE) | 00 > 06 | AC-0118 | 26207508629 | | | | | 774 |
| X5 (E53) (LATO POSTERIORE) | 00 > 06 | AC-0092 | 26107524364 26107549298 | 99,5 | 14 | 86 | 96 | 1338 |
| X5 (E70) | 06 > 13 | AC-0014 | 26207597649 26208605866 26209425907 | 27 | 47 | | 77 | 709 |

N.B.: I CODICI O.E. ED IL LORO TESTO SONO RIPORTATI SOLO A TITOLO INDICATIVO
THE O.E. CODES AND THEIR TEXT ARE REPORTED ONLY FOR INDICATIVE PURPOSE

| APPLICAZIONE (APPLICATION) | ANNO (YEAR) | CODICE (CODE) | O.E. (OR. NUMB.) | DIAMETRO (DIAMETER) | | | | LUNGH. (LENGH.) |
|-------------------------------|----------------|------------------|---|---------------------|--------------------|--------------------|--------------------|--------------------|
| | | | | EST. 1 (EXT. 1) | EST. 2 (EXT. 2) | FORO 1 (HOLE 1) | FORO 2 (HOLE 2) | |
| X5 (F15) | 13 > 18 | AC-0014 | 26207597649 26208605866 26209425907 | 27 | 47 | | 77 | 709 |
| X6 (E71 - E72) | 08 > 14 | AC-0014 | 26207597649 26208605866 26209425907 | 27 | 47 | | 77 | 709 |
| X6 (F16 - E86) | 14 > 19 | AC-0014 | 26207597649 26208605866 26209425907 | 27 | 47 | | 77 | 709 |
| | | | | | | | | |
| | | | | | | | | |
| | | | | | | | | |
| | | | | | | | | |
| | | | | | | | | |
| | | | | | | | | |
| | | | | | | | | |
| | | | | | | | | |
| | | | | | | | | |
| | | | | | | | | |
| | | | | | | | | |
| | | | | | | | | |
| | | | | | | | | |
| | | | | | | | | |
| | | | | | | | | |
| | | | | | | | | |
| | | | | | | | | |
| | | | | | | | | |

N.B.: I CODICI O.E. ED IL LORO TESTO SONO RIPORTATI SOLO A TITOLO INDICATIVO
THE O.E. CODES AND THEIR TEXT ARE REPORTED ONLY FOR INDICATIVE PURPOSE

| APPLICAZIONE (APPLICATION) | ANNO (YEAR) | CODICE (CODE) | O.E. (OR. NUMB.) | DIAMETRO (DIAMETER) | | | | LUNGH. (LENGH.) |
|-------------------------------|----------------|------------------|---------------------------------|---------------------|--------------------|--------------------|--------------------|--------------------|
| | | | | EST. 1 (EXT. 1) | EST. 2 (EXT. 2) | FORO 1 (HOLE 1) | FORO 2 (HOLE 2) | |
| CAPTIVA | 06 > | AC-0025 | 0446073 20781756 96624771 | 99,7 | 45 | 86 | 91 | 1932 |
| | | | | | | | | |
| | | | | | | | | |
| | | | | | | | | |
| | | | | | | | | |
| | | | | | | | | |
| | | | | | | | | |
| | | | | | | | | |
| | | | | | | | | |
| | | | | | | | | |
| | | | | | | | | |
| | | | | | | | | |
| | | | | | | | | |
| | | | | | | | | |
| | | | | | | | | |
| | | | | | | | | |
| | | | | | | | | |
| | | | | | | | | |
| | | | | | | | | |
| | | | | | | | | |
| | | | | | | | | |
| | | | | | | | | |
| | | | | | | | | |
| | | | | | | | | |
| | | | | | | | | |

N.B.: I CODICI O.E. ED IL LORO TESTO SONO RIPORTATI SOLO A TITOLO INDICATIVO
THE O.E. CODES AND THEIR TEXT ARE REPORTED ONLY FOR INDICATIVE PURPOSE

| APPLICAZIONE (APPLICATION) | ANNO (YEAR) | CODICE (CODE) | O.E. (OR. NUMB.) | DIAMETRO (DIAMETER) | | | | LUNGH. (LENGH.) |
|-------------------------------|----------------|------------------|--|---------------------|--------------------|--------------------|--------------------|--------------------|
| | | | | EST. 1 (EXT. 1) | EST. 2 (EXT. 2) | FORO 1 (HOLE 1) | FORO 2 (HOLE 2) | |
| 300 C | 04 > | AC-0099 | 68200149AA 68200149AB 68200149AC | 57 | 76 | | | 651 |
| CALIBER | 07 > 08 | AC-0121 | 05273310AA 05273310AB | | | | | 2020 |
| CHALLENGER COUPE' | 08 > | AC-0099 | 68200149AA 68200149AB 68200149AC | 57 | 76 | | | 651 |
| CHARGER | 05 > | AC-0099 | 68200149AA 68200149AB 68200149AC | 57 | 76 | | | 651 |
| JOURNEY | 08 > | AC-0081 | 5157005AD 5157005AE 5157005AF | 16 | 86 | 80 | 74 | 2183 |
| | | | | | | | | |
| | | | | | | | | |
| | | | | | | | | |
| | | | | | | | | |
| | | | | | | | | |
| | | | | | | | | |
| | | | | | | | | |
| | | | | | | | | |
| | | | | | | | | |
| | | | | | | | | |

N.B.: I CODICI O.E. ED IL LORO TESTO SONO RIPORTATI SOLO A TITOLO INDICATIVO
THE O.E. CODES AND THEIR TEXT ARE REPORTED ONLY FOR INDICATIVE PURPOSE

| APPLICAZIONE (APPLICATION) | ANNO (YEAR) | CODICE (CODE) | O.E. (OR. NUMB.) | DIAMETRO (DIAMETER) | | | | LUNGH. (LENGH.) |
|-------------------------------|----------------|------------------|--|---------------------|--------------------|--------------------|--------------------|--------------------|
| | | | | EST. 1 (EXT. 1) | EST. 2 (EXT. 2) | FORO 1 (HOLE 1) | FORO 2 (HOLE 2) | |
| DUSTER (HM - HS) | 10 > | AC-0035 | 320003602R 320007974R 370002820R | 65 | 65 | 95 | 95 | 2071 |
| | | | | | | | | |
| | | | | | | | | |
| | | | | | | | | |
| | | | | | | | | |
| | | | | | | | | |
| | | | | | | | | |
| | | | | | | | | |
| | | | | | | | | |
| | | | | | | | | |
| | | | | | | | | |
| | | | | | | | | |
| | | | | | | | | |
| | | | | | | | | |
| | | | | | | | | |
| | | | | | | | | |
| | | | | | | | | |

N.B.: I CODICI O.E. ED IL LORO TESTO SONO RIPORTATI SOLO A TITOLO INDICATIVO
THE O.E. CODES AND THEIR TEXT ARE REPORTED ONLY FOR INDICATIVE PURPOSE

| APPLICAZIONE (APPLICATION) | ANNO (YEAR) | CODICE (CODE) | O.E. (OR. NUMB.) | DIAMETRO (DIAMETER) | | | | LUNGH. (LENGH.) |
|-------------------------------|----------------|------------------|--|---------------------|--------------------|--------------------|--------------------|--------------------|
| | | | | EST. 1 (EXT. 1) | EST. 2 (EXT. 2) | FORO 1 (HOLE 1) | FORO 2 (HOLE 2) | |
| HIJET | > 05 | AC-0002 | 565341 615341 | 50 | 30 | 80,6 | | 639 |
| TERIOS | 06 > | AC-0072 | 3714087401 3714087403 3714087404 37140B4020 | 50 | 30 | 80,6 | | 476 |
| | | | | | | | | |
| | | | | | | | | |
| | | | | | | | | |
| | | | | | | | | |
| | | | | | | | | |
| | | | | | | | | |
| | | | | | | | | |
| | | | | | | | | |
| | | | | | | | | |
| | | | | | | | | |
| | | | | | | | | |
| | | | | | | | | |
| | | | | | | | | |
| | | | | | | | | |
| | | | | | | | | |
| | | | | | | | | |
| | | | | | | | | |
| | | | | | | | | |

N.B.: I CODICI O.E. ED IL LORO TESTO SONO RIPORTATI SOLO A TITOLO INDICATIVO
THE O.E. CODES AND THEIR TEXT ARE REPORTED ONLY FOR INDICATIVE PURPOSE

| APPLICAZIONE (APPLICATION) | ANNO (YEAR) | CODICE (CODE) | O.E. (OR. NUMB.) | DIAMETRO (DIAMETER) | | | | LUNGH. (LENGH.) |
|---|----------------|------------------|----------------------------------|---------------------|--------------------|--------------------|--------------------|--------------------|
| | | | | EST. 1 (EXT. 1) | EST. 2 (EXT. 2) | FORO 1 (HOLE 1) | FORO 2 (HOLE 2) | |
| 500 X | 14 > | AC-0045 | 55267432 55263435 55275848 | 86,7 | | | | 2191 2195 |
| PANDA (169) (FORI: 6) - (ALESAGGIO: 8,2 mm.) (CON CROCIERA INTERCAMB.) | 03 > 12 | AC-0001 | 46349688 55264146 | 83,7 | | | 74 | 1729 1780 |
| PANDA (312 - 319) (FORI: 6) - (ALESAGGIO: 8,2 mm.) (CON CROCIERA INTERCAMB.) | 12 > | AC-0001 | 46349688 55264146 | 83,7 | | | 74 | 1729 1780 |
| | | | | | | | | |
| | | | | | | | | |
| | | | | | | | | |
| | | | | | | | | |
| | | | | | | | | |
| | | | | | | | | |
| | | | | | | | | |
| | | | | | | | | |
| | | | | | | | | |
| | | | | | | | | |
| | | | | | | | | |
| | | | | | | | | |
| | | | | | | | | |
| | | | | | | | | |
| | | | | | | | | |
| | | | | | | | | |
| | | | | | | | | |
| | | | | | | | | |
| | | | | | | | | |
| | | | | | | | | |
| | | | | | | | | |
| | | | | | | | | |

N.B.: I CODICI O.E. ED IL LORO TESTO SONO RIPORTATI SOLO A TITOLO INDICATIVO
THE O.E. CODES AND THEIR TEXT ARE REPORTED ONLY FOR INDICATIVE PURPOSE

| APPLICAZIONE (APPLICATION) | ANNO (YEAR) | CODICE (CODE) | O.E. (OR. NUMB.) | DIAMETRO (DIAMETER) | | | | LUNGH. (LENGH.) |
|-------------------------------|----------------|------------------|---------------------|---------------------|--------------------|--------------------|--------------------|--------------------|
| | | | | EST. 1 (EXT. 1) | EST. 2 (EXT. 2) | FORO 1 (HOLE 1) | FORO 2 (HOLE 2) | |
| KUGA II | 12 > 19 | AC-0067 | 1826578 2126752 | 78 | 78 | 66 | 66 | 1948 |
| | | | | | | | | |
| | | | | | | | | |
| | | | | | | | | |
| | | | | | | | | |
| | | | | | | | | |
| | | | | | | | | |
| | | | | | | | | |
| | | | | | | | | |
| | | | | | | | | |
| | | | | | | | | |
| | | | | | | | | |
| | | | | | | | | |
| | | | | | | | | |
| | | | | | | | | |
| | | | | | | | | |
| | | | | | | | | |
| | | | | | | | | |

N.B.: I CODICI O.E. ED IL LORO TESTO SONO RIPORTATI SOLO A TITOLO INDICATIVO
THE O.E. CODES AND THEIR TEXT ARE REPORTED ONLY FOR INDICATIVE PURPOSE

| APPLICAZIONE (APPLICATION) | ANNO (YEAR) | CODICE (CODE) | O.E. (OR. NUMB.) | DIAMETRO (DIAMETER) | | | | LUNGH. (LENGH.) |
|-------------------------------|----------------|------------------|---|---------------------|--------------------|--------------------|--------------------|--------------------|
| | | | | EST. 1 (EXT. 1) | EST. 2 (EXT. 2) | FORO 1 (HOLE 1) | FORO 2 (HOLE 2) | |
| CR-V I (RD) | 95 > 01 | AC-0073 | 40100S10003 40100S10A01 | 57,12 | 57,12 | 69,8 | 69,8 | 2098 |
| CR-V II (RD) | 02 > 07 | AC-0070 | 40100S9AE01 40100S9AJ01 40100SCAA01 | 57,12 | 57,12 | 69,8 | 69,8 | 2051 |
| CR-V II (RD) | 02 > 07 | AC-0080 | 40100SWAA01 40100SWYE01 40100SXSA01 | 57,12 | | 69,8 | | 2058 |
| CR-V III (RE) | 06 > 12 | AC-0080 | 40100SWAA01 40100SWYE01 40100SXSA01 | 57,12 | | 69,8 | | 2058 |
| | | | | | | | | |
| | | | | | | | | |
| | | | | | | | | |
| | | | | | | | | |
| | | | | | | | | |
| | | | | | | | | |
| | | | | | | | | |
| | | | | | | | | |
| | | | | | | | | |
| | | | | | | | | |
| | | | | | | | | |
| | | | | | | | | |
| | | | | | | | | |
| | | | | | | | | |
| | | | | | | | | |
| | | | | | | | | |
| | | | | | | | | |
| | | | | | | | | |
| | | | | | | | | |

N.B.: I CODICI O.E. ED IL LORO TESTO SONO RIPORTATI SOLO A TITOLO INDICATIVO
THE O.E. CODES AND THEIR TEXT ARE REPORTED ONLY FOR INDICATIVE PURPOSE

| APPLICAZIONE (APPLICATION) | ANNO (YEAR) | CODICE (CODE) | O.E. (OR. NUMB.) | DIAMETRO (DIAMETER) | | | | LUNGH. (LENGH.) |
|-------------------------------|----------------|------------------|----------------------------------|---------------------|--------------------|--------------------|--------------------|--------------------|
| | | | | EST. 1 (EXT. 1) | EST. 2 (EXT. 2) | FORO 1 (HOLE 1) | FORO 2 (HOLE 2) | |
| H3 | | AC-0083 | 10376298 15860584 15878295 | 92 | 81,8 | 113 | | 760 |
| | | | | | | | | |
| | | | | | | | | |
| | | | | | | | | |
| | | | | | | | | |
| | | | | | | | | |
| | | | | | | | | |
| | | | | | | | | |
| | | | | | | | | |
| | | | | | | | | |
| | | | | | | | | |
| | | | | | | | | |
| | | | | | | | | |
| | | | | | | | | |
| | | | | | | | | |
| | | | | | | | | |
| | | | | | | | | |

N.B.: I CODICI O.E. ED IL LORO TESTO SONO RIPOSTATI SOLO A TITOLO INDICATIVO
THE O.E. CODES AND THEIR TEXT ARE REPORTED ONLY FOR INDICATIVE PURPOSE

| APPLICAZIONE (APPLICATION) | ANNO (YEAR) | CODICE (CODE) | O.E. (OR. NUMB.) | DIAMETRO (DIAMETER) | | | | LUNGH. (LENGH.) |
|-------------------------------|----------------|------------------|---------------------|---------------------|--------------------|--------------------|--------------------|--------------------|
| | | | | EST. 1 (EXT. 1) | EST. 2 (EXT. 2) | FORO 1 (HOLE 1) | FORO 2 (HOLE 2) | |
| H-1 - STAREX | 96 > 00 | AC-0068 | 491004A952 | | | | | |
| H-1 - STAREX | 96 > 00 | AC-0085 | 491004A970 | | | | | |
| ix35 | 10 > 15 | AC-0042 | 493003W000 | 16 | 45 | 90 | 90 | 1986 |
| ix35 | 10 > 15 | AC-0110 | 493002S000 | | | | | 1955 |
| TUCSON | 04 > 10 | AC-0110 | 493002S000 | | | | | 1955 |
| | | | | | | | | |
| | | | | | | | | |
| | | | | | | | | |
| | | | | | | | | |
| | | | | | | | | |
| | | | | | | | | |
| | | | | | | | | |
| | | | | | | | | |
| | | | | | | | | |
| | | | | | | | | |
| | | | | | | | | |

N.B.: I CODICI O.E. ED IL LORO TESTO SONO RIPORTATI SOLO A TITOLO INDICATIVO
THE O.E. CODES AND THEIR TEXT ARE REPORTED ONLY FOR INDICATIVE PURPOSE

| APPLICAZIONE (APPLICATION) | ANNO (YEAR) | CODICE (CODE) | O.E. (OR. NUMB.) | DIAMETRO (DIAMETER) | | | | LUNGH. (LENGH.) |
|--|----------------|------------------|--|---------------------|--------------------|--------------------|--------------------|--------------------|
| | | | | EST. 1 (EXT. 1) | EST. 2 (EXT. 2) | FORO 1 (HOLE 1) | FORO 2 (HOLE 2) | |
| CHEROKEE (KJ) (ALESAGGIO: 8 mm.) | 01 > 08 | AC-0016 | 52111594AA 52111596AA 52111596AB | 100 | 100 | 86 | 86 | 743 |
| CHEROKEE (KJ) | 01 > 08 | AC-0017 | 52111597AA | 100 | 100 | 86 | 86 | 762 |
| COMMANDER (XK) | 05 > 10 | AC-0091 | 52105760AB 52105760AC 52105760AD | 54,85 | 16 | 115 | 100 | 973 |
| COMMANDER (XK) | 05 > 10 | AC-0094 | 52105758AB 52105758AC 52105758AD | 100 | 65 | 86 | 95 | 778 |
| COMMANDER (XK) | 05 > 10 | AC-0095 | 52105728AB 52105728AC 52105728AD | 100 | 65 | 86 | 95 | 867 |
| COMPASS | 07 > 17 | AC-0121 | 05273310AA 05273310AB | | | | | 2020 |
| GR. CHEROKEE II (WG - WJ) | 98 > 05 | AC-0119 | 52099499AG | | | | | 804 840 |
| GR. CHEROKEE II (WG - WJ) | 98 > 05 | AC-0120 | 52099498 52099498AB | | | | | 844 |
| GR. CHEROKEE III (WH - WK) | 05 > 10 | AC-0091 | 52105760AB 52105760AC 52105760AD | 54,85 | 16 | 115 | 100 | 973 |
| GR. CHEROKEE III (WH - WK) | 05 > 10 | AC-0094 | 52105758AB 52105758AC 52105758AD | 100 | 65 | 86 | 95 | 778 |
| GR. CHEROKEE III (WH - WK) | 05 > 10 | AC-0095 | 52105728AB 52105728AC 52105728AD | 100 | 65 | 86 | 95 | 867 |
| PATRIOT | 07 > 17 | AC-0121 | 05273310AA 05273310AB | | | | | 2020 |
| RENEGADE | 14 > | AC-0045 | 55267432 55263435 55275848 | 86,7 | | | | 2191 2195 |

N.B.: I CODICI O.E. ED IL LORO TESTO SONO RIPORTATI SOLO A TITOLO INDICATIVO
THE O.E. CODES AND THEIR TEXT ARE REPORTED ONLY FOR INDICATIVE PURPOSE

| APPLICAZIONE (APPLICATION) | ANNO (YEAR) | CODICE (CODE) | O.E. (OR. NUMB.) | DIAMETRO (DIAMETER) | | | | LUNGH. (LENGH.) |
|---|----------------|------------------|---------------------|---------------------|--------------------|--------------------|--------------------|--------------------|
| | | | | EST. 1 (EXT. 1) | EST. 2 (EXT. 2) | FORO 1 (HOLE 1) | FORO 2 (HOLE 2) | |
| SORENTO I (TRASMIS. AUTOMATICA) | 02 > 09 | AC-0075 | 491003E110 | 60 | 60 | 90 | 90 | 671 |
| SPORTAGE | 10 > | AC-0042 | 493003W000 | 16 | 45 | 90 | 90 | 1986 |
| | | | | | | | | |
| | | | | | | | | |
| | | | | | | | | |
| | | | | | | | | |
| | | | | | | | | |
| | | | | | | | | |
| | | | | | | | | |
| | | | | | | | | |
| | | | | | | | | |
| | | | | | | | | |
| | | | | | | | | |
| | | | | | | | | |
| | | | | | | | | |
| | | | | | | | | |
| | | | | | | | | |
| | | | | | | | | |
| | | | | | | | | |
| | | | | | | | | |
| | | | | | | | | |
| | | | | | | | | |

N.B.: I CODICI O.E. ED IL LORO TESTO SONO RIPORTATI SOLO A TITOLO INDICATIVO
THE O.E. CODES AND THEIR TEXT ARE REPORTED ONLY FOR INDICATIVE PURPOSE

| APPLICAZIONE (APPLICATION) | ANNO (YEAR) | CODICE (CODE) | O.E. (OR. NUMB.) | DIAMETRO (DIAMETER) | | | | LUNGH. (LENGH.) |
|---|----------------|------------------|------------------------------------|---------------------|--------------------|--------------------|--------------------|--------------------|
| | | | | EST. 1 (EXT. 1) | EST. 2 (EXT. 2) | FORO 1 (HOLE 1) | FORO 2 (HOLE 2) | |
| DISCOVERY II | 94 > 04 | AC-0015 | FTC5320 TVB000100 TVB000110 | 65 | 60,3 | 95 | 79,4 | 604 |
| DISCOVERY III (LATO ANTERIORE) | 04 > 09 | AC-0011 | TVB500160 TVB500510 | 100 | 100 | 86 | 86 | 688 |
| DISCOVERY III (LATO POSTERIORE) | 04 > 09 | AC-0019 | LR037027 LR037027R TVB500270 | 99,5 | 65,35 | 86 | 98 | 1295 |
| DISCOVERY IV (LATO ANTERIORE) | 09 > 14 | AC-0011 | TVB500160 TVB500510 | 100 | 100 | 86 | 86 | 688 |
| DISCOVERY IV (LATO POSTERIORE) | 09 > 14 | AC-0019 | LR037027 LR037027R TVB500270 | 99,5 | 65,35 | 86 | 98 | 1295 |
| FREELANDER I (314) (LATO ANTERIORE) | 98 > 06 | AC-0009 | FTC5428 TVB000090 | 95 | | | | 817 |
| FREELANDER I (314) (LATO POSTERIORE) | 98 > 06 | AC-0010 | FTC5430 TVB000190 | 57,12 | 35,8 | 74,9 | | 880 |
| FREELANDER II | 06 > 14 | AC-0046 | LR001157 LR006959 LR007804 | 86 | 86 | 74 | 74 | 1997 |
| RANGE ROVER III | 02 > 12 | AC-0037 | TVB000450 | 108 | 99,5 | 94 | 86 | 1272 |
| RANGE ROVER EVOQUE | 11 > | AC-0029 | LR021552 LR024750 LR031394 | 86 | 86 | 74 | 74 | 2002 |
| RANGE ROVER SPORT I (LATO ANTERIORE) | 05 > 13 | AC-0011 | TVB500160 TVB500510 | 100 | 100 | 86 | 86 | 688 |
| RANGE ROVER SPORT I (LATO POSTERIORE) | 05 > 13 | AC-0026 | LR037028 TVB500370 TVB500390 | 99,5 | 65,35 | 86 | 98 | 1150 |
| | | | | | | | | |

N.B.: I CODICI O.E. ED IL LORO TESTO SONO RIPORTATI SOLO A TITOLO INDICATIVO
THE O.E. CODES AND THEIR TEXT ARE REPORTED ONLY FOR INDICATIVE PURPOSE

| APPLICAZIONE (APPLICATION) | ANNO (YEAR) | CODICE (CODE) | O.E. (OR. NUMB.) | DIAMETRO (DIAMETER) | | | | LUNGH. (LENGH.) |
|---|----------------|------------------|--------------------------|---------------------|--------------------|--------------------|--------------------|--------------------|
| | | | | EST. 1 (EXT. 1) | EST. 2 (EXT. 2) | FORO 1 (HOLE 1) | FORO 2 (HOLE 2) | |
| CLASSE C (W204) | 11 > 14 | AC-0113 | 2044101801 | | | | | 658 |
| CLASSE C (W205) | 14 > | AC-0006 | 2044100000 | 96 | | 78 | | 684 |
| CLASSE C (W205) | 14 > | AC-0007 | 2044107001 2214103401 | 96 | | 78 | | 671 |
| CLASSE E (W211) | 02 > 09 | AC-0078 | 2204107106 | 57 | 57 | 74,4 | 74,4 | 610 |
| CLASSE E (W212) | 09 > 16 | AC-0007 | 2044107001 2214103401 | 96 | | 78 | | 671 |
| CLASSE E (W212) | 09 > 16 | AC-0078 | 2204107106 | 57 | 57 | 74,4 | 74,4 | 610 |
| CLASSE E (W212) | 09 > 16 | AC-0113 | 2044101801 | | | | | 658 |
| CLASSE E (W213) | 16 > | AC-0007 | 2044107001 2214103401 | 96 | | 78 | | 671 |
| CLASSE M (W163) | 98 > 05 | AC-0111 | 1634100301 | 69,85 | 97 | 95,15 | 86 | 763 |
| CLASSE M (W163) (TRASMIS. AUTOMATICA) | 98 > 05 | AC-0076 | 1634100201 1634100239 | 69,85 | 97 | 95,2 | 86 | 674 |
| CLASSE M (W164) (LATO ANTERIORE) | 05 > 11 | AC-0112 | 1644100501 | | | | | 605 |
| CLASSE GLX (X204) | 08 > 15 | AC-0113 | 2044101801 | | | | | 658 |
| CLASSE R (W251) (LATO ANTERIORE) | 05 > 14 | AC-0112 | 1644100501 | | | | | 605 |

N.B.: I CODICI O.E. ED IL LORO TESTO SONO RIPORTATI SOLO A TITOLO INDICATIVO
THE O.E. CODES AND THEIR TEXT ARE REPORTED ONLY FOR INDICATIVE PURPOSE

| APPLICAZIONE (APPLICATION) | ANNO (YEAR) | CODICE (CODE) | O.E. (OR. NUMB.) | DIAMETRO (DIAMETER) | | | | LUNGH. (LENGH.) |
|---|----------------|------------------|--|---------------------|--------------------|--------------------|--------------------|--------------------|
| | | | | EST. 1 (EXT. 1) | EST. 2 (EXT. 2) | FORO 1 (HOLE 1) | FORO 2 (HOLE 2) | |
| CLASSE S (W221 - W222) | 05 > 17 | AC-0113 | 2044101801 | | | | | 658 |
| CLS (C218) | 11 > 17 | AC-0007 | 2044107001 2214103401 | 96 | | 78 | | 671 |
| CLS (C218) | 11 > 17 | AC-0113 | 2044101801 | | | | | 658 |
| GL (X164) (LATO ANTERIORE) | 06 > 12 | AC-0112 | 1644100501 | | | | | 605 |
| GLA (X156) (TRASMIS. AUTOMATICA) | 13 > 20 | AC-0043 | 1764100100 1764100200 2464100000 | 16 | 86 | 80 | 74 | 1610 2077 |
| SPRINTER (906) | 06 > 17 | AC-0027 | 9064100016 | 67 | 67 | 112 | 112 | 2579 |
| SPRINTER (906) | 06 > 17 | AC-0028 | 9064100106 9064102016 9064102116 | 67 | 67 | 112 | 112 | 2840 |
| SPRINTER (906) | 06 > 17 | AC-0034 | 9064103616 | 16 | 67 | 120 | 112 | 2805 |
| SPRINTER (906) (LATO POSTERIORE) | 06 > 17 | AC-0063 | 9064101816 9064104106 | 67 | 67 | 112 | 112 | 2755 |
| VIANO (W639) | 03 > | AC-0049 | 6394103206 | 57 | 57 | 101,6 | 101,6 | 2211 |
| VIANO (W639) | 03 > | AC-0050 | 6394103306 | 57 | 57 | 101,6 | 101,6 | 2440 |
| VIANO (W639) | 03 > | AC-0051 | 6394103406 | 57 | 57 | 101,6 | 101,6 | 2143 |
| VIANO (W639) | 03 > | AC-0052 | 6394103506 | 57 | 57 | 101,5 | 101,5 | 2372 |

N.B.: I CODICI O.E. ED IL LORO TESTO SONO RIPORTATI SOLO A TITOLO INDICATIVO
THE O.E. CODES AND THEIR TEXT ARE REPORTED ONLY FOR INDICATIVE PURPOSE

| APPLICAZIONE (APPLICATION) | ANNO (YEAR) | CODICE (CODE) | O.E. (OR. NUMB.) | DIAMETRO (DIAMETER) | | | | LUNGH. (LENGH.) |
|-------------------------------|----------------|------------------|---------------------|---------------------|--------------------|--------------------|--------------------|--------------------|
| | | | | EST. 1 (EXT. 1) | EST. 2 (EXT. 2) | FORO 1 (HOLE 1) | FORO 2 (HOLE 2) | |
| VIANO (W639) | 03 > | AC-0053 | 6394103606 | 57 | 57 | 101,6 | 101,6 | 2174,5 |
| VIANO (W639) | 03 > | AC-0054 | 6394103706 | 57 | 57 | 101,6 | 101,6 | 2403,5 |
| VIANO (W639) | 03 > | AC-0055 | 6394103906 | 57 | 57 | 101,6 | 101,6 | 2174,5 |
| VIANO (W639) | 03 > | AC-0057 | 6394104606 | 57 | 57 | 101,6 | 101,6 | 1951 |
| VIANO (W639) | 03 > | AC-0058 | 6394104706 | 57 | 57 | 101,6 | 101,6 | 2180 |
| VIANO (W639) | 03 > | AC-0059 | 6394104806 | 57 | 57 | 101,6 | 101,6 | 1903 |
| VIANO (W639) | 03 > | AC-0060 | 6394104906 | 57 | 57 | 101,6 | 101,6 | 2132 |
| VIANO (W639) | 03 > | AC-0064 | 6394107206 | 57 | 57 | 101,6 | 101,6 | 2372 |
| VIANO (W639) | 03 > | AC-0065 | 6394103516 | 57 | 57 | 101,6 | 101,6 | 2399 |
| VIANO (W639) | 03 > | AC-0066 | 6394103416 | 16 | 57 | 120 | 101,6 | 2171 |
| VITO (W639) | 03 > | AC-0047 | 6394103106 | 57 | 57 | 101,6 | 101,6 | 2240 |
| VITO (W639) | 03 > | AC-0048 | 6394103106 | 57 | 57 | 101,6 | 101,6 | 2469 |
| VITO (W639) | 03 > | AC-0049 | 6394103206 | 57 | 57 | 101,6 | 101,6 | 2211 |

N.B.: I CODICI O.E. ED IL LORO TESTO SONO RIPORTATI SOLO A TITOLO INDICATIVO
THE O.E. CODES AND THEIR TEXT ARE REPORTED ONLY FOR INDICATIVE PURPOSE

| APPLICAZIONE (APPLICATION) | ANNO (YEAR) | CODICE (CODE) | O.E. (OR. NUMB.) | DIAMETRO (DIAMETER) | | | | LUNGH. (LENGH.) |
|-------------------------------|----------------|------------------|--------------------------|---------------------|--------------------|--------------------|--------------------|--------------------|
| | | | | EST. 1 (EXT. 1) | EST. 2 (EXT. 2) | FORO 1 (HOLE 1) | FORO 2 (HOLE 2) | |
| VITO (W639) | 03 > | AC-0050 | 6394103306 | 57 | 57 | 101,6 | 101,6 | 2440 |
| VITO (W639) | 03 > | AC-0051 | 6394103406 | 57 | 57 | 101,6 | 101,6 | 2143 |
| VITO (W639) | 03 > | AC-0052 | 6394103506 | 57 | 57 | 101,5 | 101,5 | 2372 |
| VITO (W639) | 03 > | AC-0053 | 6394103606 | 57 | 57 | 101,6 | 101,6 | 2174,5 |
| VITO (W639) | 03 > | AC-0054 | 6394103706 | 57 | 57 | 101,6 | 101,6 | 2403,5 |
| VITO (W639) | 03 > | AC-0055 | 6394103906 | 57 | 57 | 101,6 | 101,6 | 2174,5 |
| VITO (W639) | 03 > | AC-0056 | 6394104006 6394104506 | 57 | 57 | 101,6 | 101,6 | 2403,5 |
| VITO (W639) | 03 > | AC-0057 | 6394104606 | 57 | 57 | 101,6 | 101,6 | 1951 |
| VITO (W639) | 03 > | AC-0058 | 6394104706 | 57 | 57 | 101,6 | 101,6 | 2180 |
| VITO (W639) | 03 > | AC-0059 | 6394104806 | 57 | 57 | 101,6 | 101,6 | 1903 |
| VITO (W639) | 03 > | AC-0060 | 6394104906 | 57 | 57 | 101,6 | 101,6 | 2132 |
| | | | | | | | | |
| | | | | | | | | |

N.B.: I CODICI O.E. ED IL LORO TESTO SONO RIPORTATI SOLO A TITOLO INDICATIVO
THE O.E. CODES AND THEIR TEXT ARE REPORTED ONLY FOR INDICATIVE PURPOSE

| APPLICAZIONE (APPLICATION) | ANNO (YEAR) | CODICE (CODE) | O.E. (OR. NUMB.) | DIAMETRO (DIAMETER) | | | | LUNGH. (LENGH.) |
|-------------------------------|----------------|------------------|----------------------|---------------------|--------------------|--------------------|--------------------|--------------------|
| | | | | EST. 1 (EXT. 1) | EST. 2 (EXT. 2) | FORO 1 (HOLE 1) | FORO 2 (HOLE 2) | |
| L200 (K74T - K75T) | 96 > | AC-0036 | 3401A448 MN168569 | 45 | 42,7 | 104,6 | | 1469 |
| OUTLANDER II | 06 > 12 | AC-0100 | 3401A022 | 46 | 42,7 | 77,8 | | 2060 |
| | | | | | | | | |
| | | | | | | | | |
| | | | | | | | | |
| | | | | | | | | |
| | | | | | | | | |
| | | | | | | | | |
| | | | | | | | | |
| | | | | | | | | |
| | | | | | | | | |
| | | | | | | | | |
| | | | | | | | | |
| | | | | | | | | |
| | | | | | | | | |
| | | | | | | | | |
| | | | | | | | | |
| | | | | | | | | |
| | | | | | | | | |
| | | | | | | | | |
| | | | | | | | | |

N.B.: I CODICI O.E. ED IL LORO TESTO SONO RIPORTATI SOLO A TITOLO INDICATIVO
THE O.E. CODES AND THEIR TEXT ARE REPORTED ONLY FOR INDICATIVE PURPOSE

| APPLICAZIONE (APPLICATION) | ANNO (YEAR) | CODICE (CODE) | O.E. (OR. NUMB.) | DIAMETRO (DIAMETER) | | | | LUNGH. (LENGH.) |
|---|----------------|------------------|--|---------------------|--------------------|--------------------|--------------------|--------------------|
| | | | | EST. 1 (EXT. 1) | EST. 2 (EXT. 2) | FORO 1 (HOLE 1) | FORO 2 (HOLE 2) | |
| NP300 NAVARA (D22 - D40) (2,5 dCl - 3,0 dCl) LATO ANTERIORE | 07/05 > | AC-0005 | 37200EB30A 37200EB300 372005X30A | 50 | 50 | 81,3 | 81,3 | 790 |
| PATHFINDER II (R50) (3,3 - 3,5) - TRASMIS. AUTOM. LATO ANTERIORE | 96 > 04 | AC-0097 | AAZ-659480 | | | | | 609 |
| PATHFINDER III (R51) (2,5 dCl - 3,0 dCl) LATO ANTERIORE | 05 > 12 | AC-0005 | 37200EB30A 37200EB300 372005X30A | 50 | 50 | 81,3 | 81,3 | 790 |
| QASHQAI (J10) | 06 > 13 | AC-0039 | 37000BR52A 37000JD200 | 50 | 65 | 81,3 | 95 | 2017,5 |
| QASHQAI (J10) | 06 > 13 | AC-0040 | 37000BR50A 37000BR50B | 50 | 65 | 81,3 | 95 | 1984 |
| QASHQAI (J10) | 06 > 13 | AC-0041 | 37000BR51A 37000JD000 37000JG70A | 50 | 65 | 81,3 | 95 | 1999 |
| QASHQAI (J10) | 06 > 13 | AC-0033 | 37000JY00C | 105 | 113 | | | 2038 |
| QASHQAI (J10) | 06 > 13 | AC-0074 | 370004BA2A 37000JM13A | 46 | 65 | 81,32 | 95 | 2219 |
| ROGUE | 07 > | AC-0086 | 37000JM100 37000-JM13A | 50 | 65 | 81,3 | 95 | 2041 |
| SERENA (C23) (LATO POSTERIORE) (N. DENTI: 24) | 93 > 01 | AC-0106 | 370007C001 | 35 | 50 | | 81,25 | 672 |
| SERENA (C23) (LATO POSTERIORE) (N. DENTI: 24) | 93 > 01 | AC-0107 | 370007C002 | 35 | 50 | | 81,25 | 767 |
| SERENA (C23) (LATO POSTERIORE) (N. DENTI: 24) | 93 > 01 | AC-0105 | 370007C003 | 35 | 50 | | 81,25 | 832 |
| VANETTE CARGO (HC23) (LATO POSTERIORE) (N. DENTI: 24) | 94 > 01 | AC-0106 | 370007C001 | 35 | | | 81,25 | 672 |

N.B.: I CODICI O.E. ED IL LORO TESTO SONO RIPORTATI SOLO A TITOLO INDICATIVO
THE O.E. CODES AND THEIR TEXT ARE REPORTED ONLY FOR INDICATIVE PURPOSE

| APPLICAZIONE (APPLICATION) | ANNO (YEAR) | CODICE (CODE) | O.E. (OR. NUMB.) | DIAMETRO (DIAMETER) | | | | LUNGH. (LENGH.) |
|--|----------------|------------------|--------------------------|---------------------|--------------------|--------------------|--------------------|--------------------|
| | | | | EST. 1 (EXT. 1) | EST. 2 (EXT. 2) | FORO 1 (HOLE 1) | FORO 2 (HOLE 2) | |
| VANETTE CARGO (HC23) (LATO POSTERIORE) (N. DENTI: 24) | 94 > 01 | AC-0107 | 370007C002 | 35 | 50 | | 81,25 | 767 |
| VANETTE CARGO (HC23) (LATO POSTERIORE) (N. DENTI: 24) | 94 > 01 | AC-0105 | 370007C003 | 35 | 50 | | 81,25 | 832 |
| X-TRAIL (T30) | 01 > 13 | AC-0109 | 370008H310 | 50 | 50 | 81,32 | 81,32 | 2020 |
| X-TRAIL (T31) | 07 > 18 | AC-0033 | 37000JY00C | 105 | 113 | | | 2040 |
| X-TRAIL (T31) | 07 > 18 | AC-0074 | 370004BA2A 37000JM13A | 46 | 65 | 81,32 | 95 | 2220 |
| | | | | | | | | |
| | | | | | | | | |
| | | | | | | | | |
| | | | | | | | | |
| | | | | | | | | |
| | | | | | | | | |
| | | | | | | | | |
| | | | | | | | | |
| | | | | | | | | |
| | | | | | | | | |
| | | | | | | | | |

N.B.: I CODICI O.E. ED IL LORO TESTO SONO RIPORTATI SOLO A TITOLO INDICATIVO
THE O.E. CODES AND THEIR TEXT ARE REPORTED ONLY FOR INDICATIVE PURPOSE

| APPLICAZIONE (APPLICATION) | ANNO (YEAR) | CODICE (CODE) | O.E. (OR. NUMB.) | DIAMETRO (DIAMETER) | | | | LUNGH. (LENGH.) |
|-------------------------------|----------------|------------------|---------------------------------|---------------------|--------------------|--------------------|--------------------|--------------------|
| | | | | EST. 1 (EXT. 1) | EST. 2 (EXT. 2) | FORO 1 (HOLE 1) | FORO 2 (HOLE 2) | |
| ANTARA | 06 > | AC-0025 | 0446073 20781756 96624771 | 99,7 | 45 | 86 | 91 | 1932 |
| | | | | | | | | |
| | | | | | | | | |
| | | | | | | | | |
| | | | | | | | | |
| | | | | | | | | |
| | | | | | | | | |
| | | | | | | | | |
| | | | | | | | | |
| | | | | | | | | |
| | | | | | | | | |
| | | | | | | | | |
| | | | | | | | | |
| | | | | | | | | |

N.B.: I CODICI O.E. ED IL LORO TESTO SONO RIPORTATI SOLO A TITOLO INDICATIVO
THE O.E. CODES AND THEIR TEXT ARE REPORTED ONLY FOR INDICATIVE PURPOSE

| APPLICAZIONE (APPLICATION) | ANNO (YEAR) | CODICE (CODE) | O.E. (OR. NUMB.) | DIAMETRO (DIAMETER) | | | | LUNGH. (LENGH.) |
|---|----------------|------------------|---------------------|---------------------|--------------------|--------------------|--------------------|--------------------|
| | | | | EST. 1 (EXT. 1) | EST. 2 (EXT. 2) | FORO 1 (HOLE 1) | FORO 2 (HOLE 2) | |
| PORTER T.T (1,2 - 1,4) (DIESEL) | > 05 | AC-0002 | 565341 615341 | 50 | 30 | 80,6 | | 639 |
| PORTER T.T. (1,3) (BENZINA) | > 10 | AC-0003 | 615339 | 50 | 30 | 80,6 | | 513 |
| PORTER D120 (DIESEL) | 01 > 15 | AC-0004 | CM038106 | 50 | 36 | 80,6 | | 623 |
| | | | | | | | | |
| | | | | | | | | |
| | | | | | | | | |
| | | | | | | | | |
| | | | | | | | | |
| | | | | | | | | |
| | | | | | | | | |
| | | | | | | | | |
| | | | | | | | | |
| | | | | | | | | |
| | | | | | | | | |
| | | | | | | | | |
| | | | | | | | | |
| | | | | | | | | |
| | | | | | | | | |
| | | | | | | | | |
| | | | | | | | | |
| | | | | | | | | |
| | | | | | | | | |
| | | | | | | | | |
| | | | | | | | | |

N.B.: I CODICI O.E. ED IL LORO TESTO SONO RIPORTATI SOLO A TITOLO INDICATIVO
 THE O.E. CODES AND THEIR TEXT ARE REPORTED ONLY FOR INDICATIVE PURPOSE

| APPLICAZIONE (APPLICATION) | ANNO (YEAR) | CODICE (CODE) | O.E. (OR. NUMB.) | DIAMETRO (DIAMETER) | | | | LUNGH. (LENGH.) |
|---|----------------|------------------|---|---------------------|--------------------|--------------------|--------------------|--------------------|
| | | | | EST. 1 (EXT. 1) | EST. 2 (EXT. 2) | FORO 1 (HOLE 1) | FORO 2 (HOLE 2) | |
| CAYENNE (9PA) (LATO ANTERIORE) | 04 > 10 | AC-0104 | 95542102000 95542102001 95542102003 | 99,47 | 99,47 | 86 | 86 | 632 |
| CAYENNE (9PA) (LATO POSTERIORE) | 04 > 10 | AC-0018 | 95542102010 95542102011 95542102012 | 99,5 | 16 | 86 | 110 | 1225 |
| MACAN (DENTI: 25 - FORI: 6) | 14 > | AC-0087 | 95B521101A 95B521101B 95B521101D | 89,8 | 99,7 | 86 | | 1501 |
| | | | | | | | | |
| | | | | | | | | |
| | | | | | | | | |
| | | | | | | | | |
| | | | | | | | | |
| | | | | | | | | |
| | | | | | | | | |
| | | | | | | | | |
| | | | | | | | | |
| | | | | | | | | |
| | | | | | | | | |

N.B.: I CODICI O.E. ED IL LORO TESTO SONO RIPORTATI SOLO A TITOLO INDICATIVO
THE O.E. CODES AND THEIR TEXT ARE REPORTED ONLY FOR INDICATIVE PURPOSE

| APPLICAZIONE (APPLICATION) | ANNO (YEAR) | CODICE (CODE) | O.E. (OR. NUMB.) | DIAMETRO (DIAMETER) | | | | LUNGH. (LENGH.) |
|-------------------------------|----------------|------------------|--|---------------------|--------------------|--------------------|--------------------|--------------------|
| | | | | EST. 1 (EXT. 1) | EST. 2 (EXT. 2) | FORO 1 (HOLE 1) | FORO 2 (HOLE 2) | |
| KANGOO | 08 > | AC-0062 | 320006394R 8200144401 8200149811 | 74 | 74 | 91 | 91 | 1976 |
| KOLEOS | 08 > | AC-0033 | 370005068R | 105 | 113 | | | 2040 |
| KOLEOS | 08 > | AC-0074 | 370004BA2A 37000JM13A | 46 | 65 | 81,32 | 95 | 2220 |
| SCENIC I | 95 > 03 | AC-0061 | 7711135224 8200058705 | 16 | 74 | 80 | 91 | 1991 |
| | | | | | | | | |
| | | | | | | | | |
| | | | | | | | | |
| | | | | | | | | |
| | | | | | | | | |
| | | | | | | | | |
| | | | | | | | | |
| | | | | | | | | |
| | | | | | | | | |
| | | | | | | | | |
| | | | | | | | | |

N.B.: I CODICI O.E. ED IL LORO TESTO SONO RIPORTATI SOLO A TITOLO INDICATIVO
THE O.E. CODES AND THEIR TEXT ARE REPORTED ONLY FOR INDICATIVE PURPOSE

| APPLICAZIONE (APPLICATION) | ANNO (YEAR) | CODICE (CODE) | O.E. (OR. NUMB.) | DIAMETRO (DIAMETER) | | | | LUNGH. (LENGH.) |
|--|----------------|------------------|---------------------|---------------------|--------------------|--------------------|--------------------|--------------------|
| | | | | EST. 1 (EXT. 1) | EST. 2 (EXT. 2) | FORO 1 (HOLE 1) | FORO 2 (HOLE 2) | |
| JIMNY (FJ) - (SN) (FORI: 4) - (ALESAGGIO: 10/10 mm.) (LATO ANTERIORE) | 98 > | AC-0079 | 2710282A00 | 110 | 110 | | | 745 |
| JIMNY (FJ) - (SN) (FORI: 4) - (ALESAGGIO: 8/10 mm.) (LATO POSTERIORE) | 98 > | AC-0071 | 2710384A00 | 74 | 45 | 91 | 84,5 | 660 |
| SAMURAI (SJ) (DENTI: 23) (LATO ANTERIORE) | 89 > | AC-0098 | 2710184C00 | | | | | 403,4 |
| SJ 410 - SJ 413 (DENTI: 23) (LATO ANTERIORE) | 89 > | AC-0098 | 2710184C00 | | | | | 403,4 |
| SX4 (LATO POSTERIORE) | 06 >15 | AC-0102 | 2710080J11 | | | | | |
| SX4 S-CROSS | 13 > 22 | AC-0038 | 2710061M00 | 42 | 42 | 73,5 | 73,5 | 1980 |
| | | | | | | | | |
| | | | | | | | | |
| | | | | | | | | |
| | | | | | | | | |
| | | | | | | | | |
| | | | | | | | | |
| | | | | | | | | |
| | | | | | | | | |
| | | | | | | | | |

N.B.: I CODICI O.E. ED IL LORO TESTO SONO RIPORTATI SOLO A TITOLO INDICATIVO
THE O.E. CODES AND THEIR TEXT ARE REPORTED ONLY FOR INDICATIVE PURPOSE

| APPLICAZIONE (APPLICATION) | ANNO (YEAR) | CODICE (CODE) | O.E. (OR. NUMB.) | DIAMETRO (DIAMETER) | | | | LUNGH. (LENGH.) |
|-------------------------------|-------------------|------------------|---------------------|---------------------|--------------------|--------------------|--------------------|--------------------|
| | | | | EST. 1 (EXT. 1) | EST. 2 (EXT. 2) | FORO 1 (HOLE 1) | FORO 2 (HOLE 2) | |
| RAV 4 II | 00 > 05 | AC-0101 | 3710042060 | 46 | 38 | 84,8 | | 1980 |
| RAV 4 III | 06 > 12 | AC-0020 | 3710042080 | 74 | 74 | 78 | | 2185 |
| RAV 4 IV | 13 > 18 | AC-0122 | 3710042090 | | | | | 2270 |
| | | | | | | | | |
| | | | | | | | | |
| | | | | | | | | |
| | | | | | | | | |
| | | | | | | | | |
| | | | | | | | | |
| | | | | | | | | |
| | | | | | | | | |
| | | | | | | | | |
| | | | | | | | | |
| | | | | | | | | |
| | | | | | | | | |
| | | | | | | | | |
| | | | | | | | | |
| | | | | | | | | |
| | | | | | | | | |

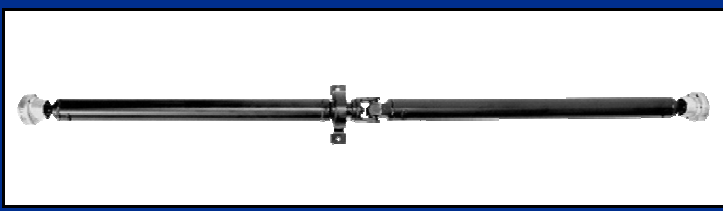
N.B.: I CODICI O.E. ED IL LORO TESTO SONO RIPORTATI SOLO A TITOLO INDICATIVO
THE O.E. CODES AND THEIR TEXT ARE REPORTED ONLY FOR INDICATIVE PURPOSE

| APPLICAZIONE (APPLICATION) | ANNO (YEAR) | CODICE (CODE) | O.E. (OR. NUMB.) | DIAMETRO (DIAMETER) | | | | LUNGH. (LENGH.) |
|---|----------------|------------------|--|---------------------|--------------------|--------------------|--------------------|--------------------|
| | | | | EST. 1 (EXT. 1) | EST. 2 (EXT. 2) | FORO 1 (HOLE 1) | FORO 2 (HOLE 2) | |
| CRAFTER | 06 > 17 | AC-0028 | 2E1521293 2E0521101A | 67 | 67 | 112 | 112 | 2840 |
| CRAFTER | 06 > 17 | AC-0027 | 2E0521293 | 67 | 67 | 112 | 112 | 2579 |
| CRAFTER | 06 > 17 | AC-0034 | 9064103616 | 16 | 67 | 120 | 112 | 2805 |
| CRAFTER (LATO POSTERIORE) | 06 > 17 | AC-0063 | | | | | | 2755 |
| TIGUAN (5N) | 07 > 16 | AC-0024 | 5N0521101C 5N0521101E 5N0521101M | 16 | 16 | 96 | 105 | 2138 |
| TOUAREG (7LA - 7L6 - 7L7) (LATO ANTERIORE) | 02 > 10 | AC-0013 | 7L6521101A 7L6521101C 7L6521101E | 99,5 | 99,5 | 86 | 86 | 678 |
| TOUAREG (7LA - 7L6 - 7L7) (LATO ANTERIORE) | 02 > 10 | AC-0104 | 7L0521101H | 99,47 | 99,47 | 86 | 86 | 632 |
| TOUAREG (7LA - 7L6 - 7L7) (LATO POSTERIORE) | 02 > 10 | AC-0018 | 7L0521102B 7L0521102C 7L0521102D | 99,5 | 16 | 86 | 110 | 1225 |
| TOUAREG (7LA - 7L6 - 7L7) (LATO POSTERIORE) | 02 > 10 | AC-0021 | 7L6521102B 7L6521102C 7L6521102D | 99,5 | 16 | 86 | 110 | 1165 |
| | | | | | | | | |
| | | | | | | | | |
| | | | | | | | | |
| | | | | | | | | |

N.B.: I CODICI O.E. ED IL LORO TESTO SONO RIPORTATI SOLO A TITOLO INDICATIVO
THE O.E. CODES AND THEIR TEXT ARE REPORTED ONLY FOR INDICATIVE PURPOSE

IMMAGINI - IMAGES

AC-0001



AC-0002



AC-0003



AC-0004



AC-0005



AC-0006



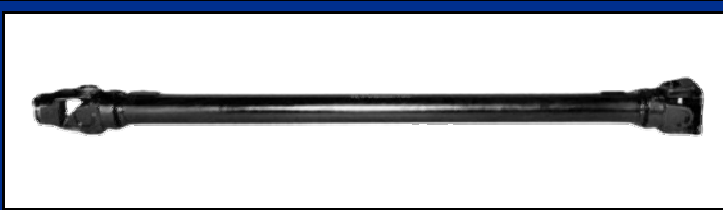
AC-0007



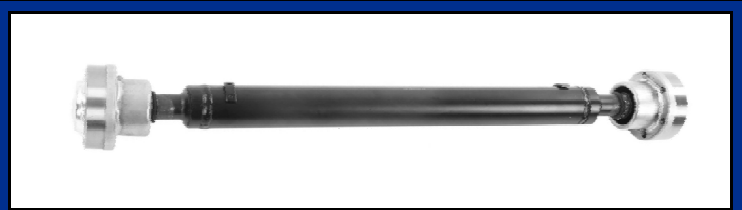
AC-0009



AC-0010



AC-0011



AC-0013



AC-0014



N.B.: I CODICI O.E. ED IL LORO TESTO SONO RIPORTATI SOLO A TITOLO INDICATIVO
 THE O.E. CODES AND THEIR TEXT ARE REPORTED ONLY FOR INDICATIVE PURPOSE

IMMAGINI - IMAGES

AC-0015



AC-0016



AC-0017



AC-0018



AC-0019



AC-0020



AC-0021



AC-0022



AC-0023



AC-0024



AC-0025

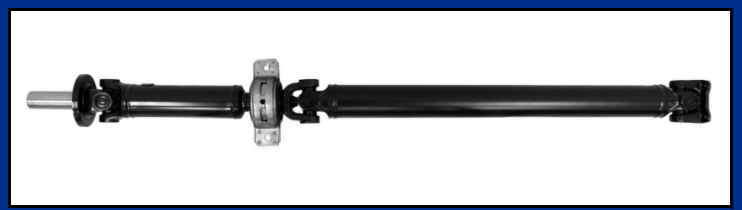
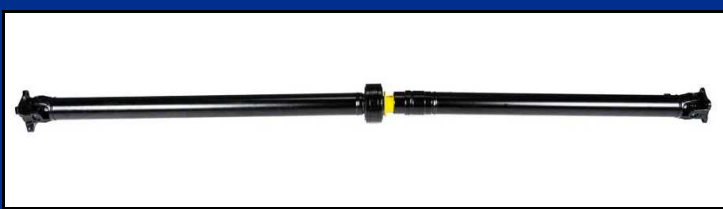
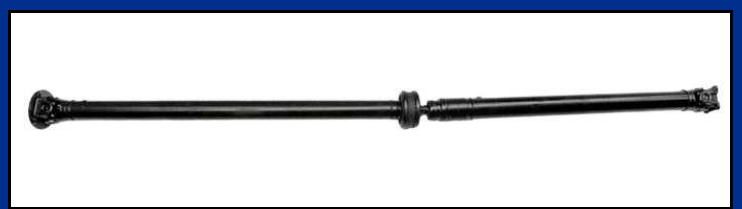


AC-0026



N.B.: I CODICI O.E. ED IL LORO TESTO SONO RIPORTATI SOLO A TITOLO INDICATIVO
 THE O.E. CODES AND THEIR TEXT ARE REPORTED ONLY FOR INDICATIVE PURPOSE

IMMAGINI - IMAGES

AC-0027**AC-0028****AC-0029****AC-0032****AC-0033****AC-0034****AC-0035****AC-0036****AC-0037****AC-0038****AC-0039****AC-0040**

N.B.: I CODICI O.E. ED IL LORO TESTO SONO RIPORTATI SOLO A TITOLO INDICATIVO
 THE O.E. CODES AND THEIR TEXT ARE REPORTED ONLY FOR INDICATIVE PURPOSE

IMMAGINI - IMAGES

AC-0041



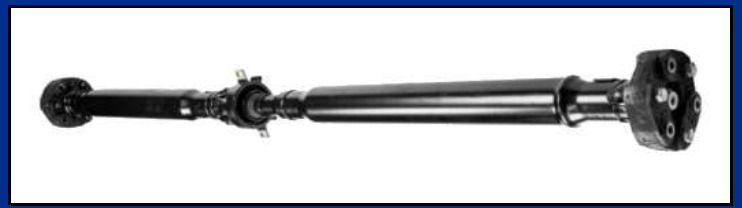
AC-0042



AC-0043



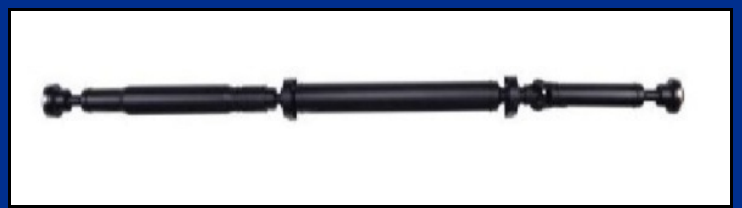
AC-0044



AC-0045



AC-0046



AC-0047



AC-0048



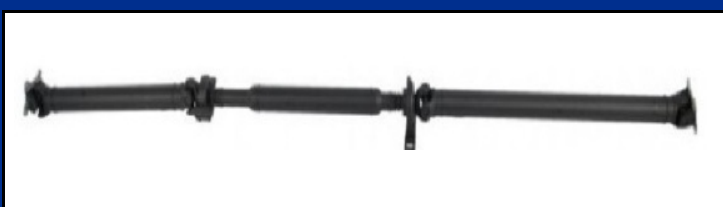
AC-0049



AC-0050



AC-0051



AC-0052



N.B.: I CODICI O.E. ED IL LORO TESTO SONO RIPORTATI SOLO A TITOLO INDICATIVO
 THE O.E. CODES AND THEIR TEXT ARE REPORTED ONLY FOR INDICATIVE PURPOSE

IMMAGINI - IMAGES

AC-0053



AC-0054



AC-0055



AC-0056



AA-0057



AA-0058



AA-0059



AA-0060



AC-0061



AC-0062



AC-0063

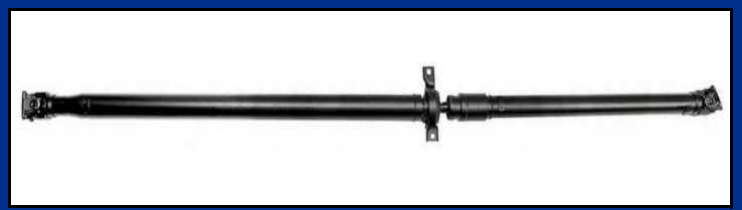
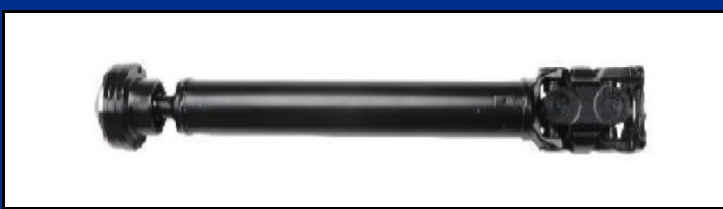


AC-0064



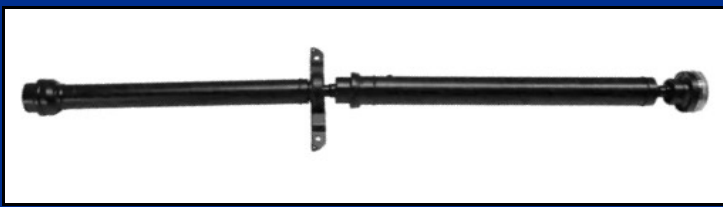
N.B.: I CODICI O.E. ED IL LORO TESTO SONO RIPORTATI SOLO A TITOLO INDICATIVO
 THE O.E. CODES AND THEIR TEXT ARE REPORTED ONLY FOR INDICATIVE PURPOSE

IMMAGINI - IMAGES

AC-0065**AC-0066****AC-0067****AC-0068****AC-0070****AC-0071****AC-0072****AC-0073****AC-0074****AC-0075****AC-0076****AC-0077**

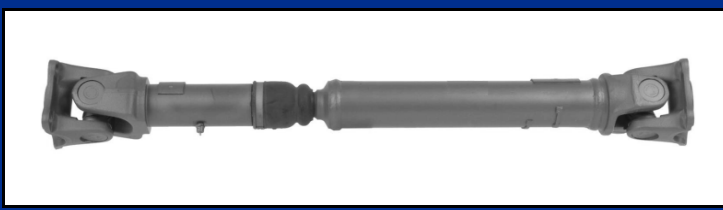
N.B.: I CODICI O.E. ED IL LORO TESTO SONO RIPORTATI SOLO A TITOLO INDICATIVO
 THE O.E. CODES AND THEIR TEXT ARE REPORTED ONLY FOR INDICATIVE PURPOSE

IMMAGINI - IMAGES

AC-0078**AC-0079****AC-0080****AC-0081****AC-0082****AC-0083****AC-0085****AC-0086****AC-0087****AC-0088****AC-0089****AC-0090**

N.B.: I CODICI O.E. ED IL LORO TESTO SONO RIPORTATI SOLO A TITOLO INDICATIVO
 THE O.E. CODES AND THEIR TEXT ARE REPORTED ONLY FOR INDICATIVE PURPOSE

IMMAGINI - IMAGES

AC-0091**AC-0092****AC-0093****AC-0094****AC-0095****AC-0096****AC-0097****AC-0098****AC-0099****AC-0100****AC-0101****AC-0102**

N.B.: I CODICI O.E. ED IL LORO TESTO SONO RIPORTATI SOLO A TITOLO INDICATIVO
 THE O.E. CODES AND THEIR TEXT ARE REPORTED ONLY FOR INDICATIVE PURPOSE

IMMAGINI - IMAGES

AC-0103**AC-0104****AC-0105****AC-0106****AC-0107****AC-0109****AC-0110****AC-0111****AC-0112****AC-0113****AC-0114****AC-0115**

N.B.: I CODICI O.E. ED IL LORO TESTO SONO RIPORTATI SOLO A TITOLO INDICATIVO
 THE O.E. CODES AND THEIR TEXT ARE REPORTED ONLY FOR INDICATIVE PURPOSE

IMMAGINI - IMAGES

AC-0116



AC-0117



AC-0118



AC-0119



AC-0120



AC-0121



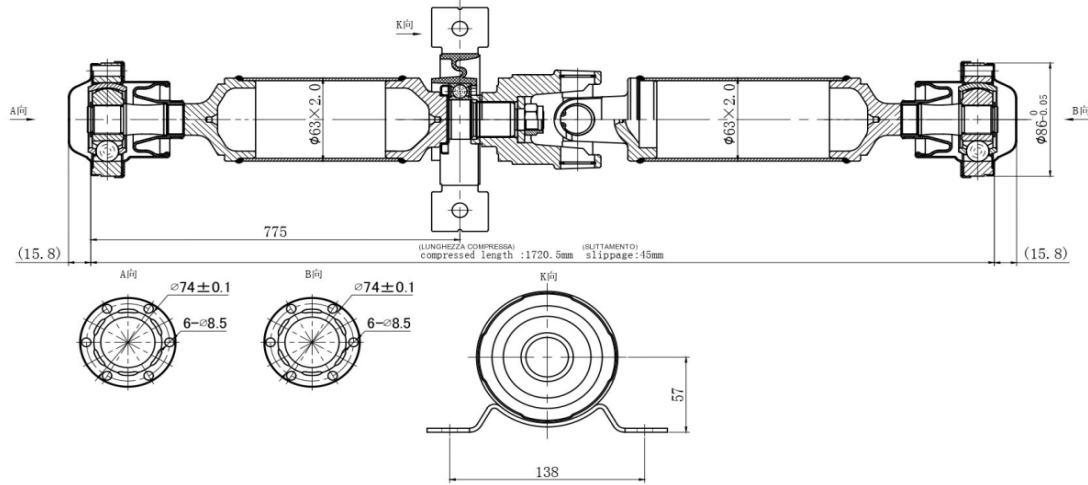
AC-0122



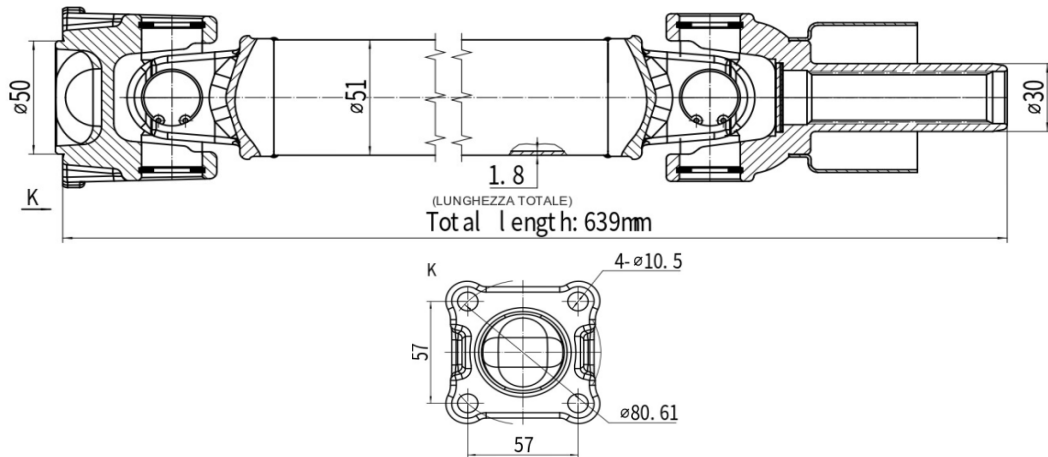
N.B.: I CODICI O.E. ED IL LORO TESTO SONO RIPORTATI SOLO A TITOLO INDICATIVO
THE O.E. CODES AND THEIR TEXT ARE REPORTED ONLY FOR INDICATIVE PURPOSE

DISEGNI TECNICI - TECHNICAL DRAWINGS

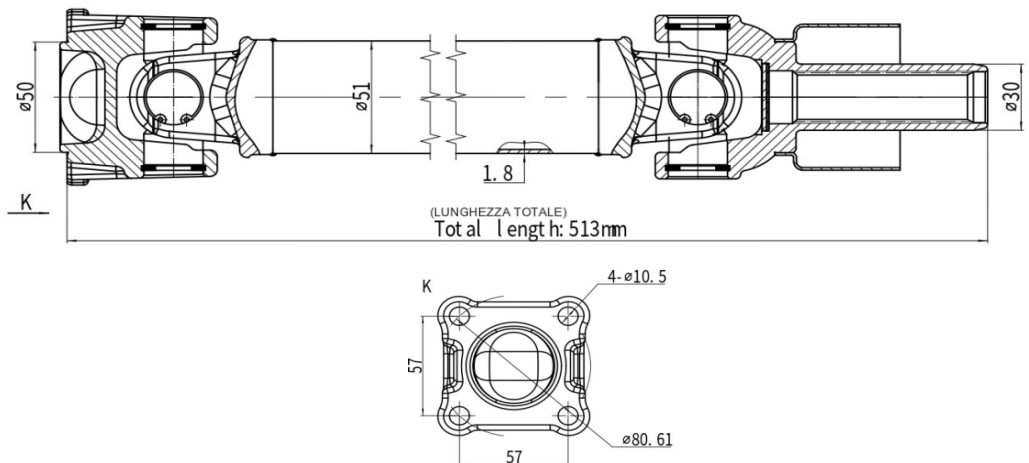
AC-0001



AC-0002



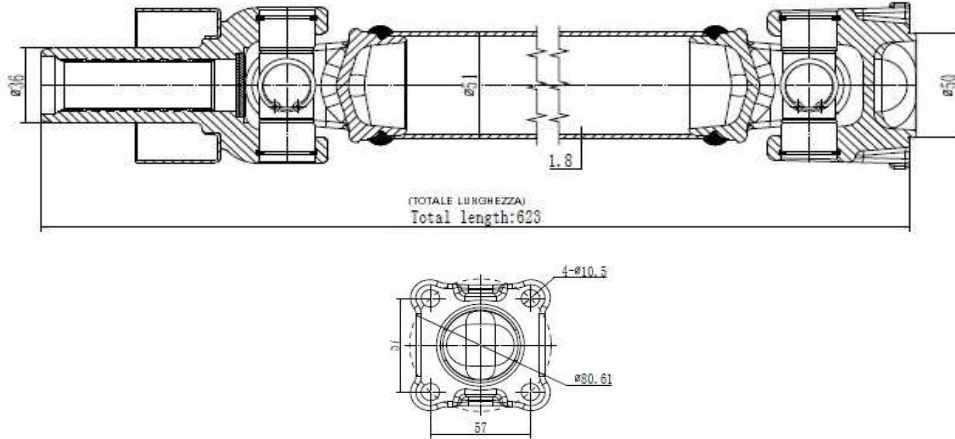
AC-0003



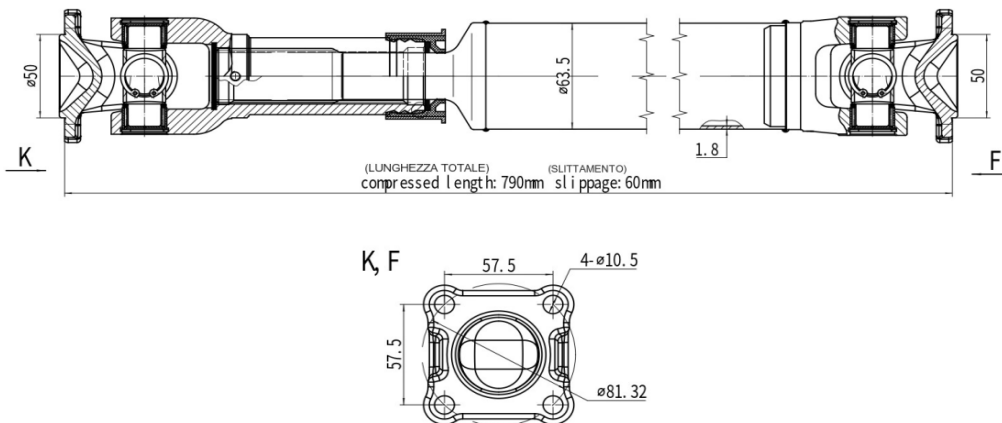
N.B.: I CODICI O.E. ED IL LORO TESTO SONO RIPORTATI SOLO A TITOLO INDICATIVO
 THE O.E. CODES AND THEIR TEXT ARE REPORTED ONLY FOR INDICATIVE PURPOSE

DISEGNI TECNICI - TECHNICAL DRAWINGS

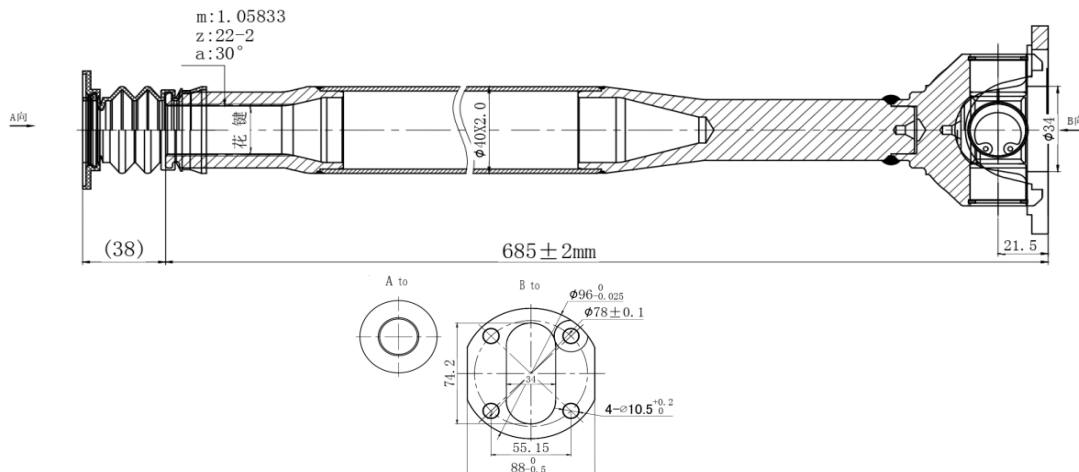
AC-0004



AC-0005



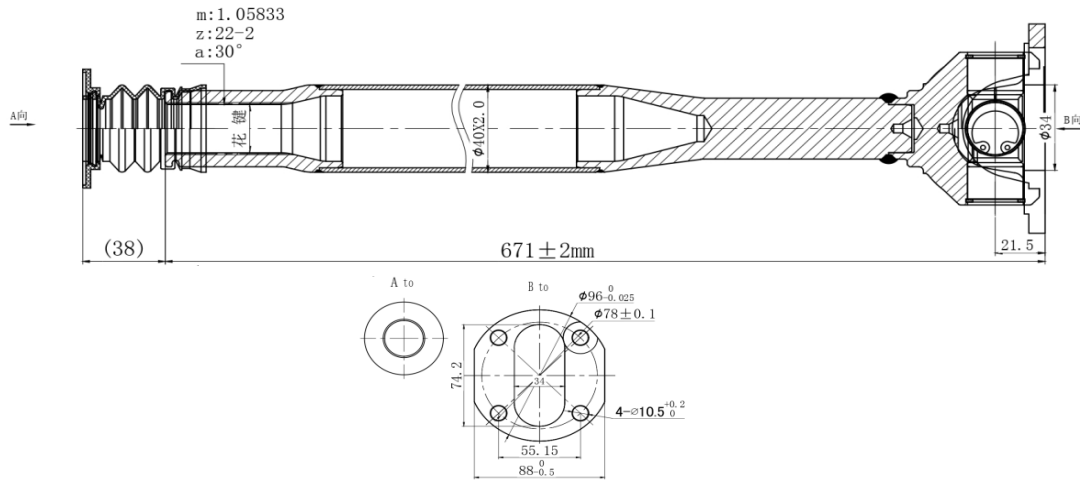
AC-0006



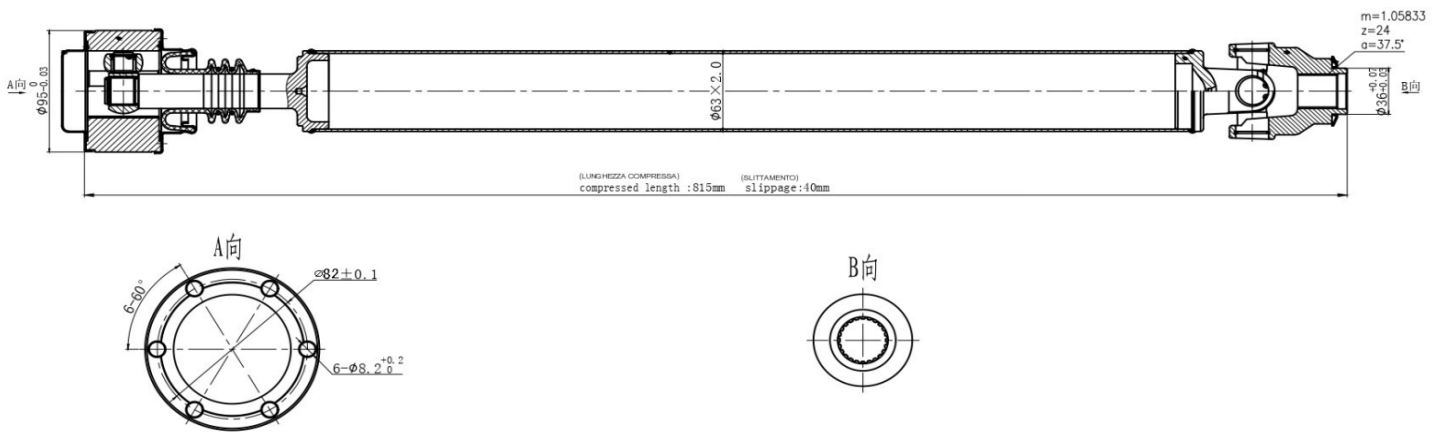
N.B.: I CODICI O.E. ED IL LORO TESTO SONO RIPORTATI SOLO A TITOLO INDICATIVO
THE O.E. CODES AND THEIR TEXT ARE REPORTED ONLY FOR INDICATIVE PURPOSE

DISEGNI TECNICI - TECHNICAL DRAWINGS

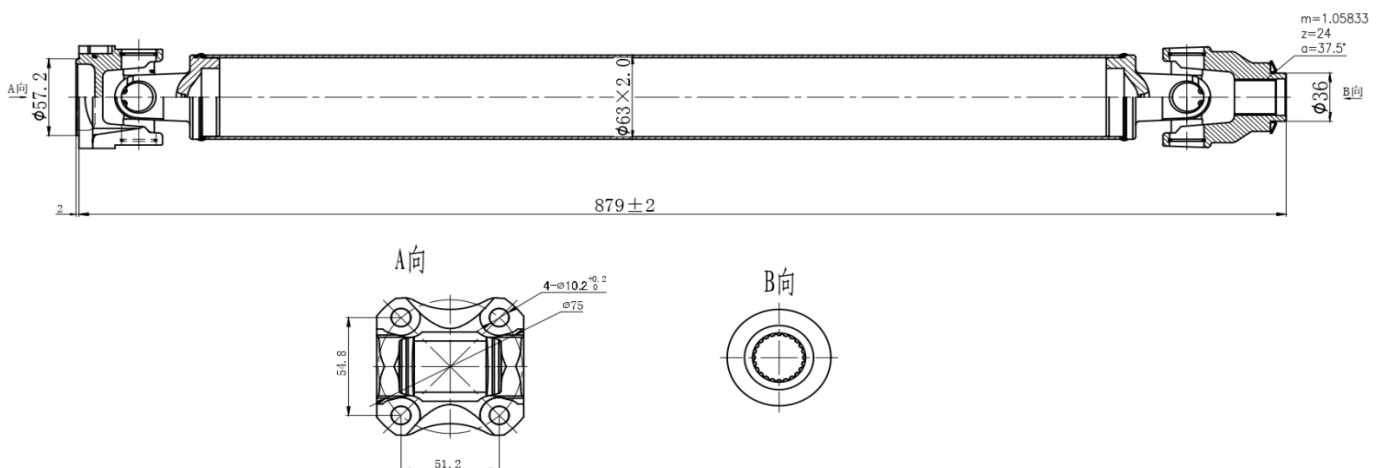
AC-0007



AC-0009



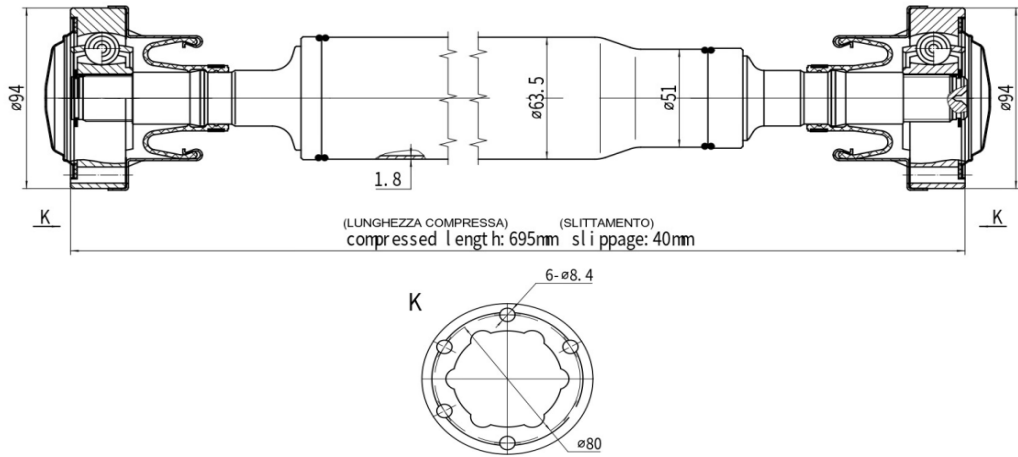
AC-0010



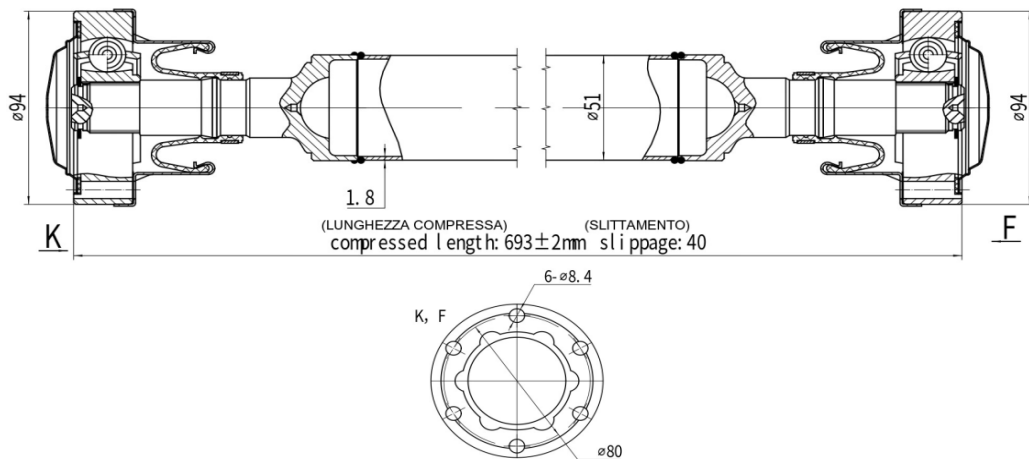
N.B.: I CODICI O.E. ED IL LORO TESTO SONO RIPORTATI SOLO A TITOLO INDICATIVO
THE O.E. CODES AND THEIR TEXT ARE REPORTED ONLY FOR INDICATIVE PURPOSE

DISEGNI TECNICI - TECHNICAL DRAWINGS

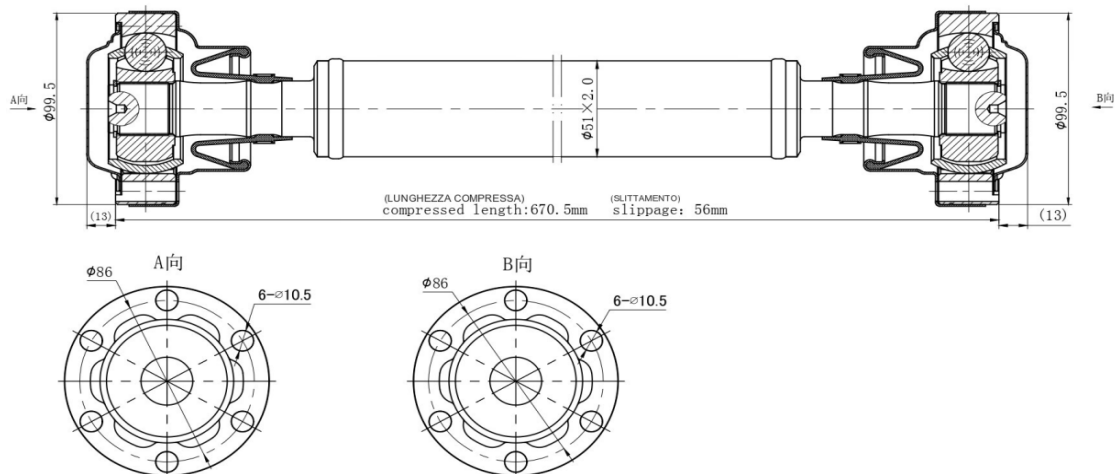
AC-0011



AC-0012



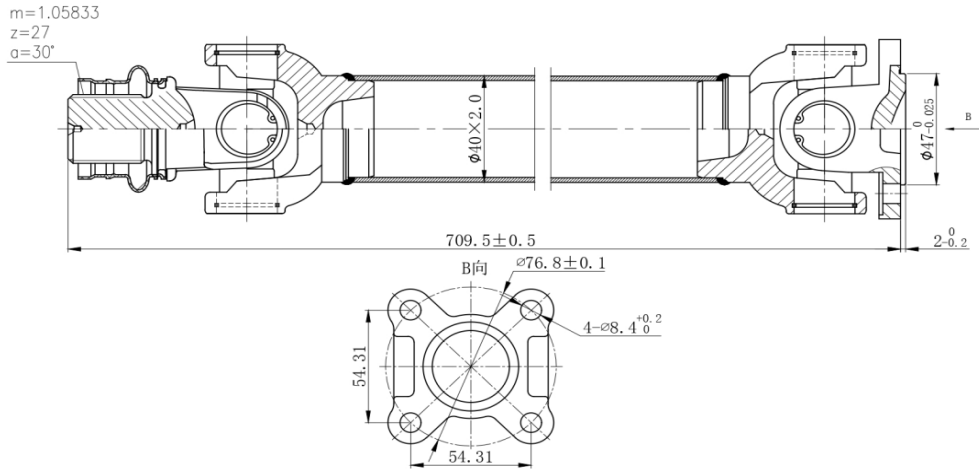
AC-0013



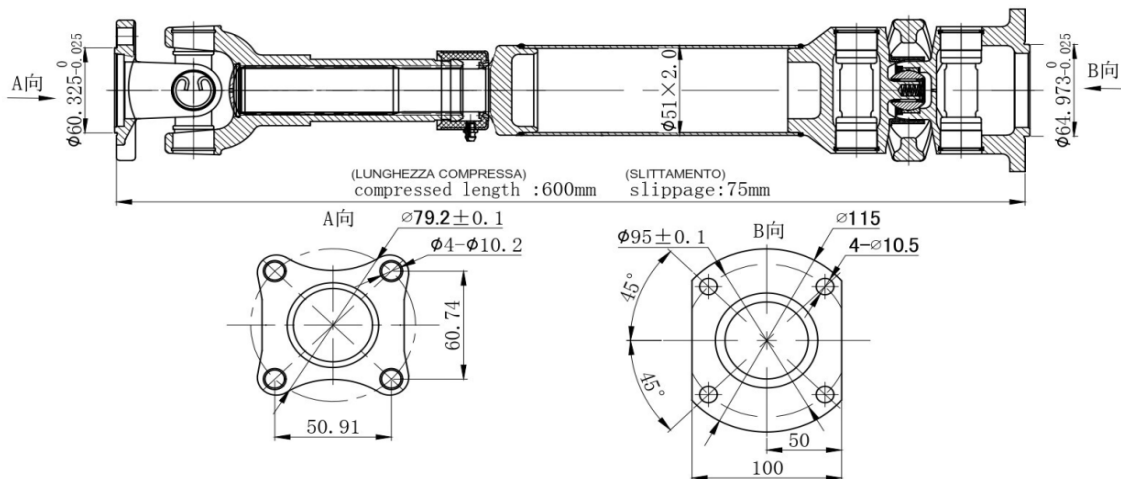
N.B.: I CODICI O.E. ED IL LORO TESTO SONO RIPORTATI SOLO A TITOLO INDICATIVO
THE O.E. CODES AND THEIR TEXT ARE REPORTED ONLY FOR INDICATIVE PURPOSE

DISEGNI TECNICI - TECHNICAL DRAWINGS

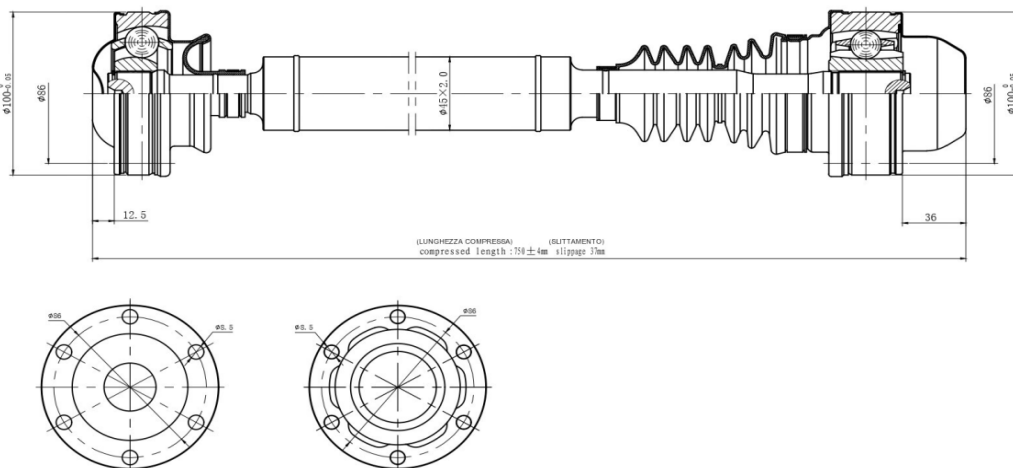
AC-0014



AC-0015



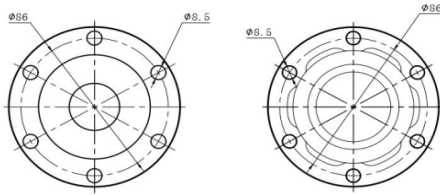
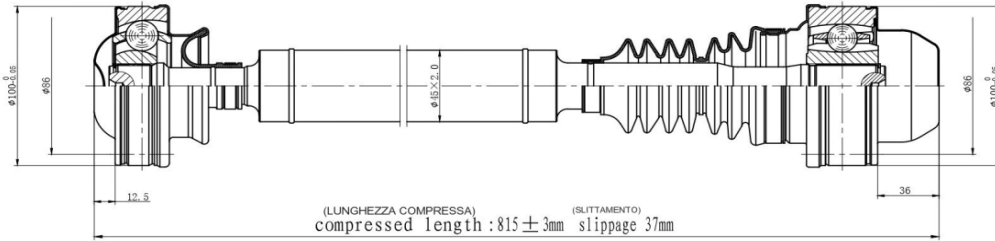
AC-0016



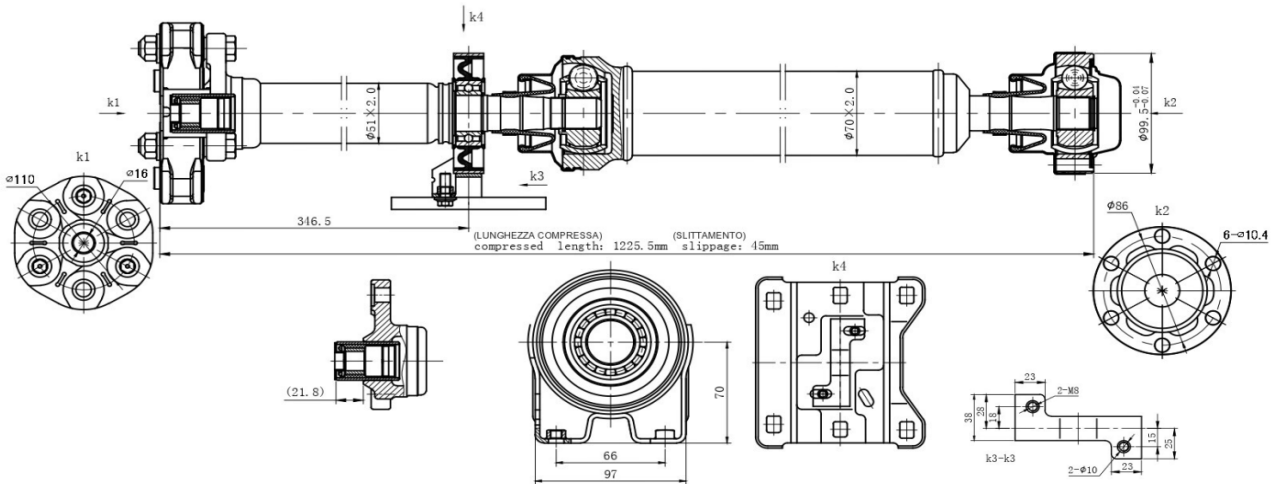
N.B.: I CODICI O.E. ED IL LORO TESTO SONO RIPORTATI SOLO A TITOLO INDICATIVO
 THE O.E. CODES AND THEIR TEXT ARE REPORTED ONLY FOR INDICATIVE PURPOSE

DISEGNI TECNICI - TECHNICAL DRAWINGS

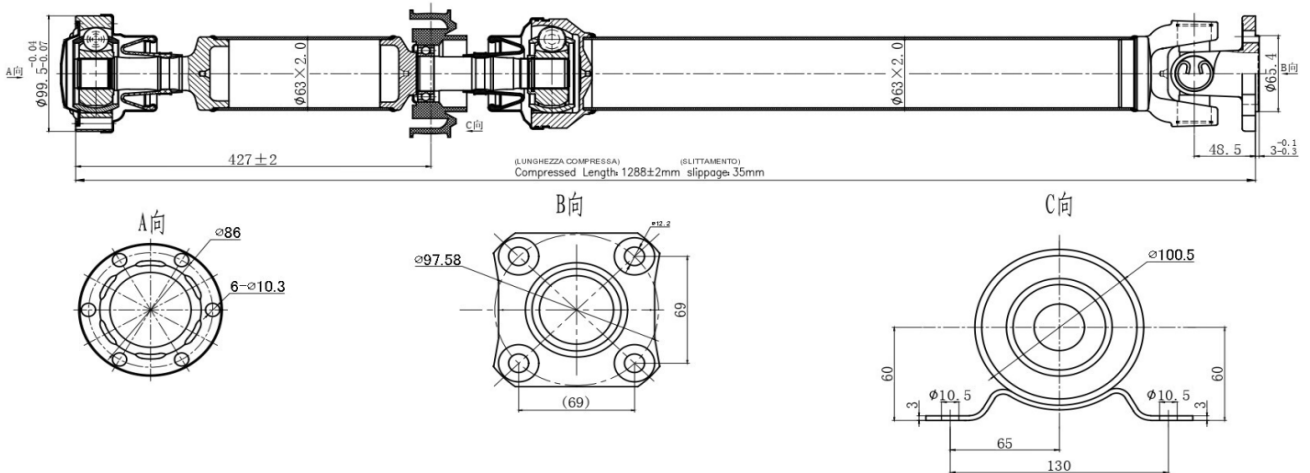
AC-0017



AC-0018



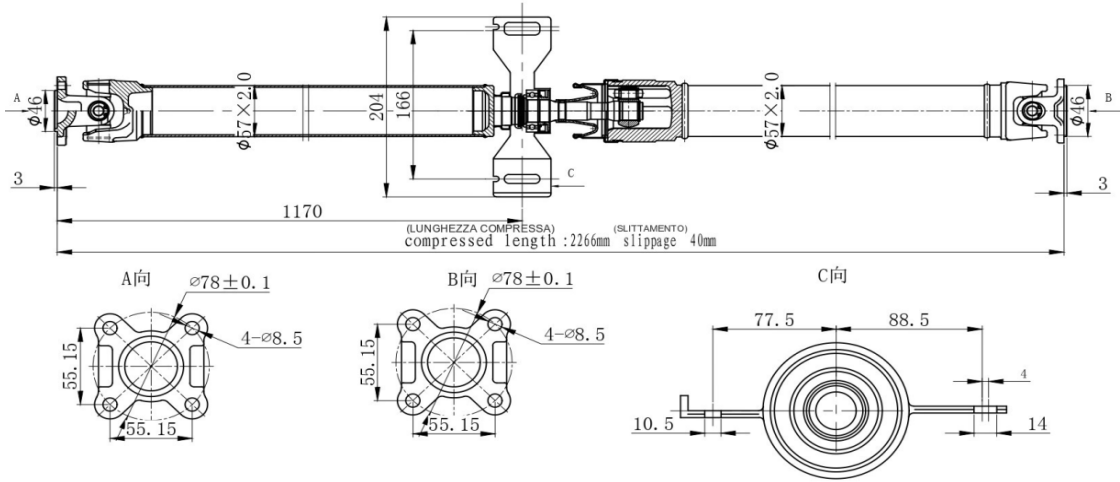
AC-0019



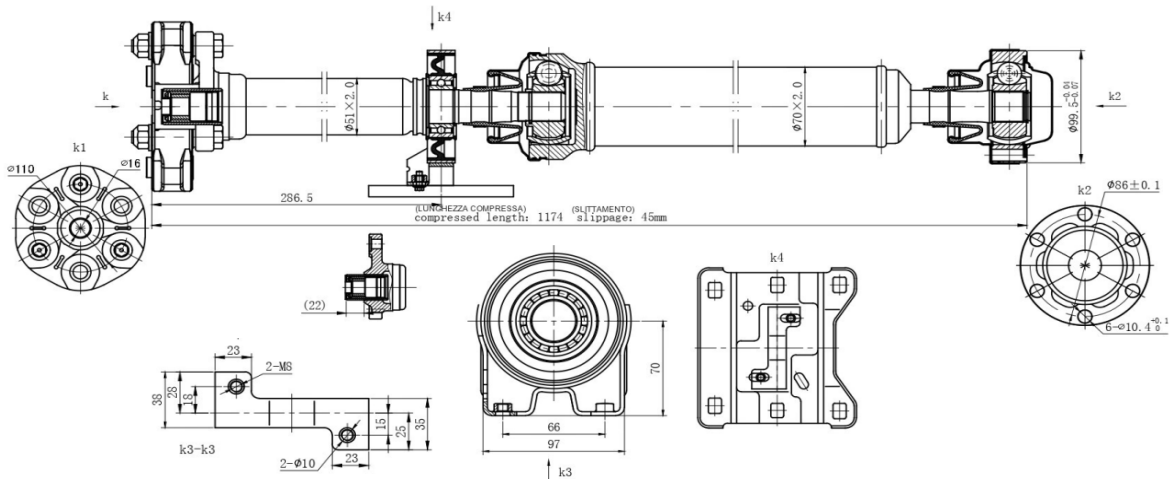
N.B.: I CODICI O.E. ED IL LORO TESTO SONO RIPORTATI SOLO A TITOLO INDICATIVO
THE O.E. CODES AND THEIR TEXT ARE REPORTED ONLY FOR INDICATIVE PURPOSE

DISEGNI TECNICI - TECHNICAL DRAWINGS

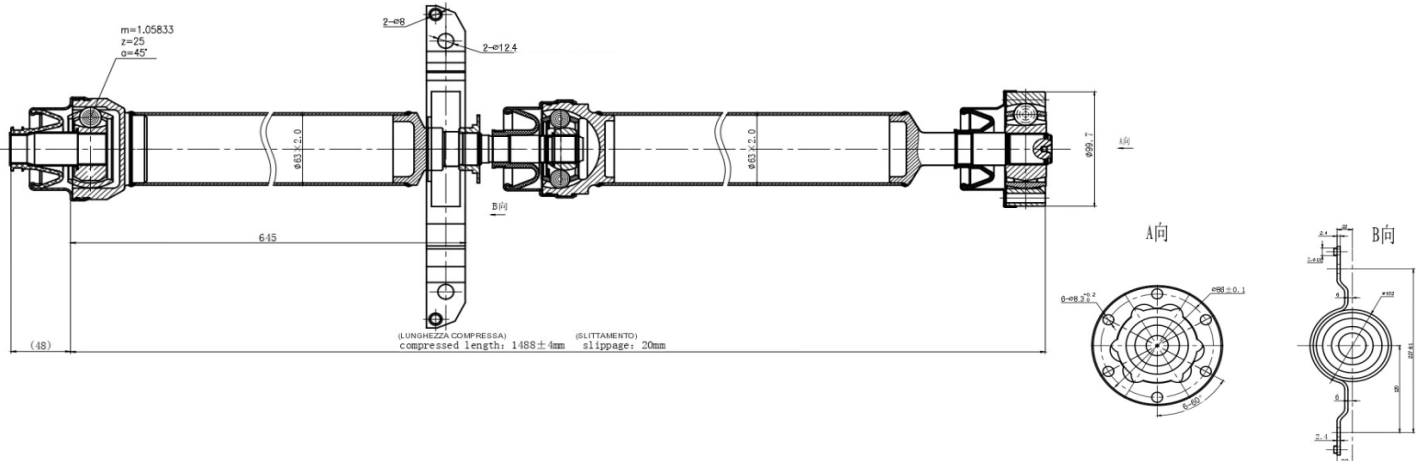
AC-0020



AC-0021



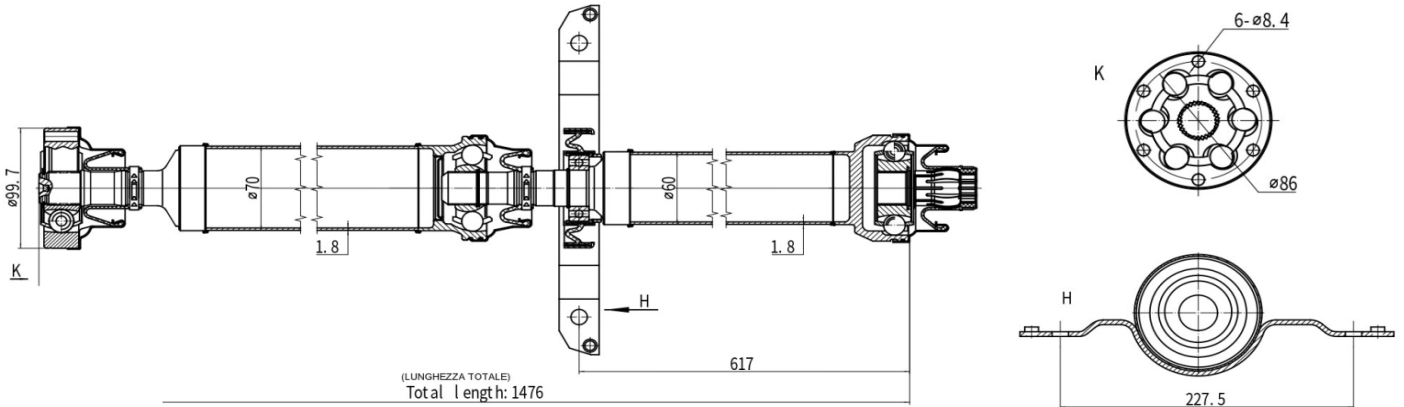
AC-0022



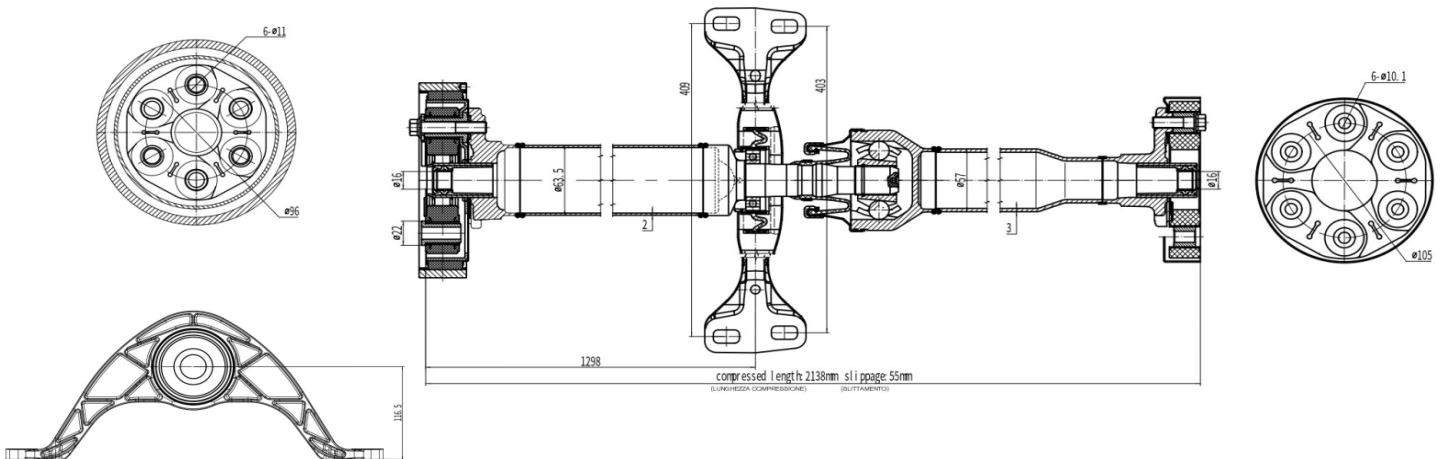
N.B.: I CODICI O.E. ED IL LORO TESTO SONO RIPORTATI SOLO A TITOLO INDICATIVO
 THE O.E. CODES AND THEIR TEXT ARE REPORTED ONLY FOR INDICATIVE PURPOSE

DISEGNI TECNICI - TECHNICAL DRAWINGS

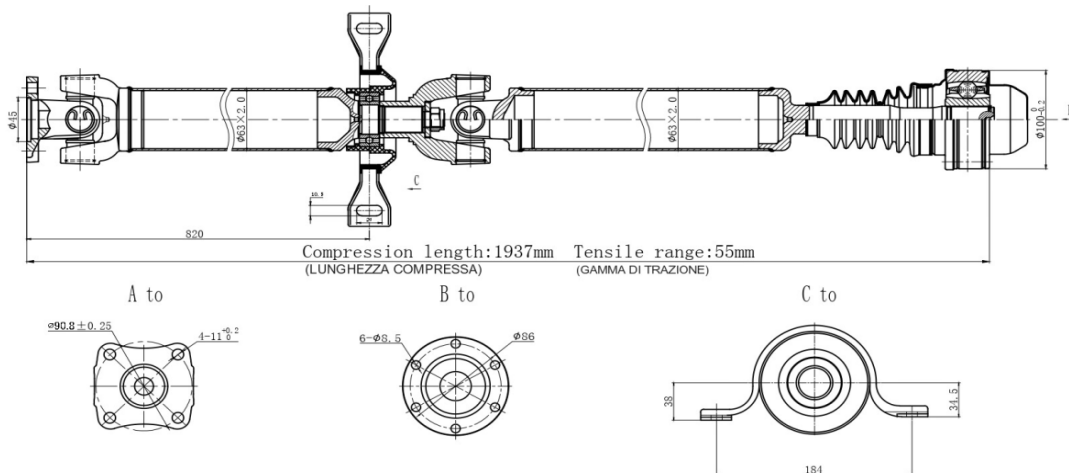
AC-0023



AC-0024



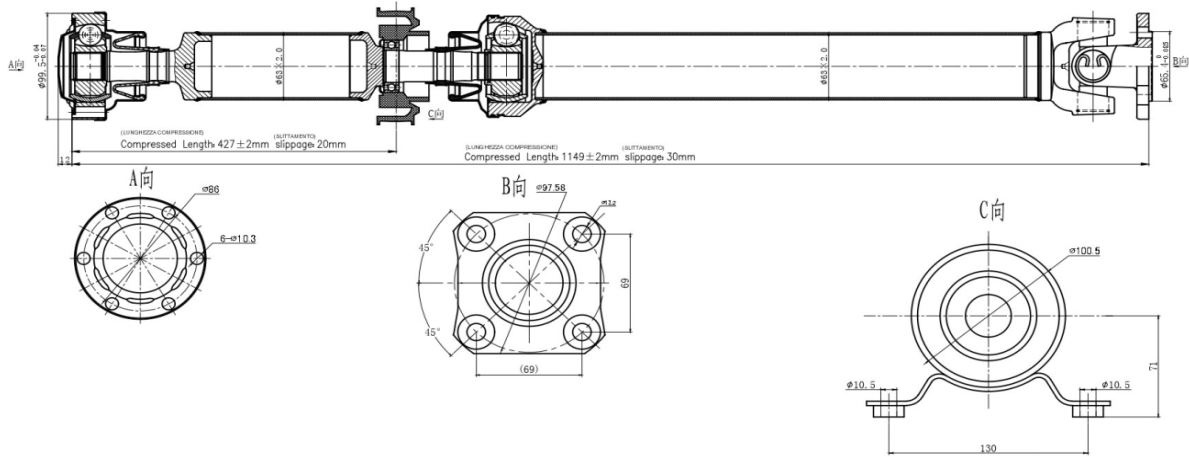
AC-0025



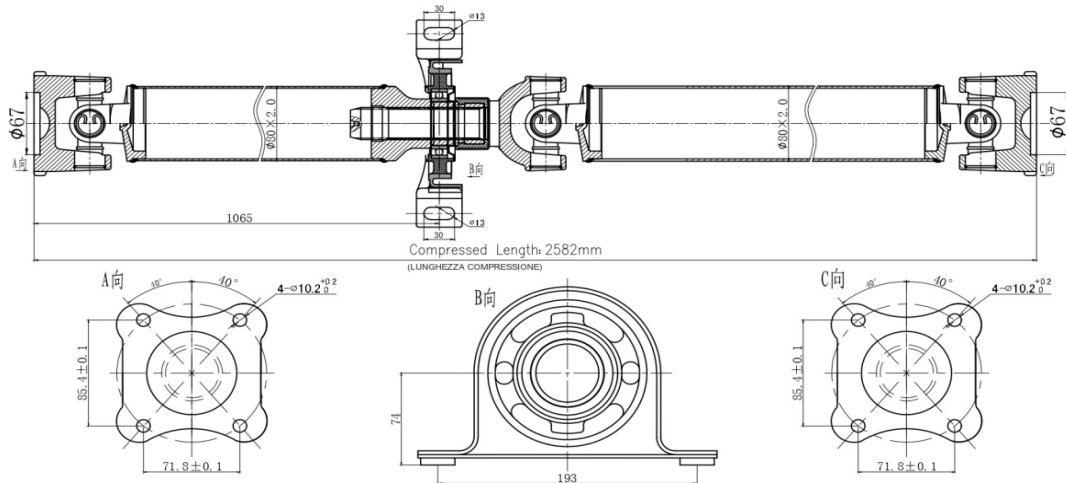
N.B.: I CODICI O.E. ED IL LORO TESTO SONO RIPORTATI SOLO A TITOLO INDICATIVO
THE O.E. CODES AND THEIR TEXT ARE REPORTED ONLY FOR INDICATIVE PURPOSE

DISEGNI TECNICI - TECHNICAL DRAWINGS

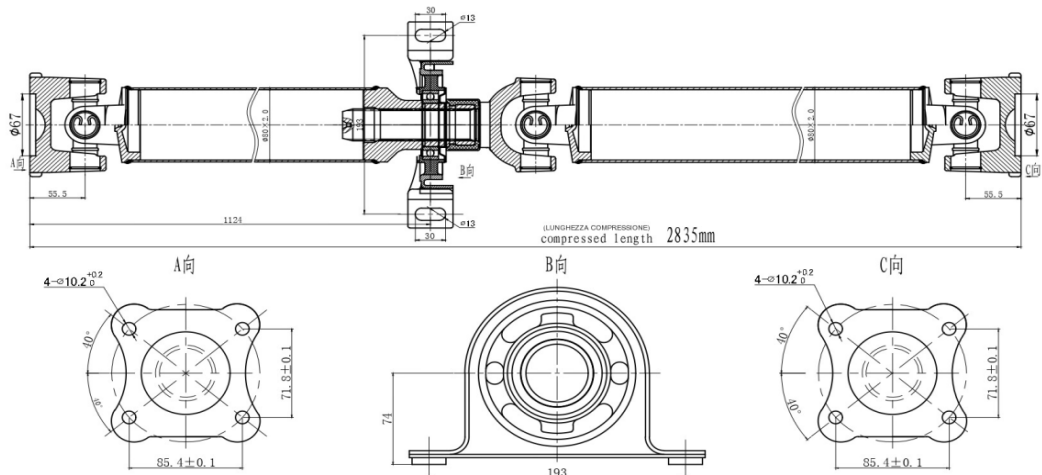
AC-0026



AC-0027



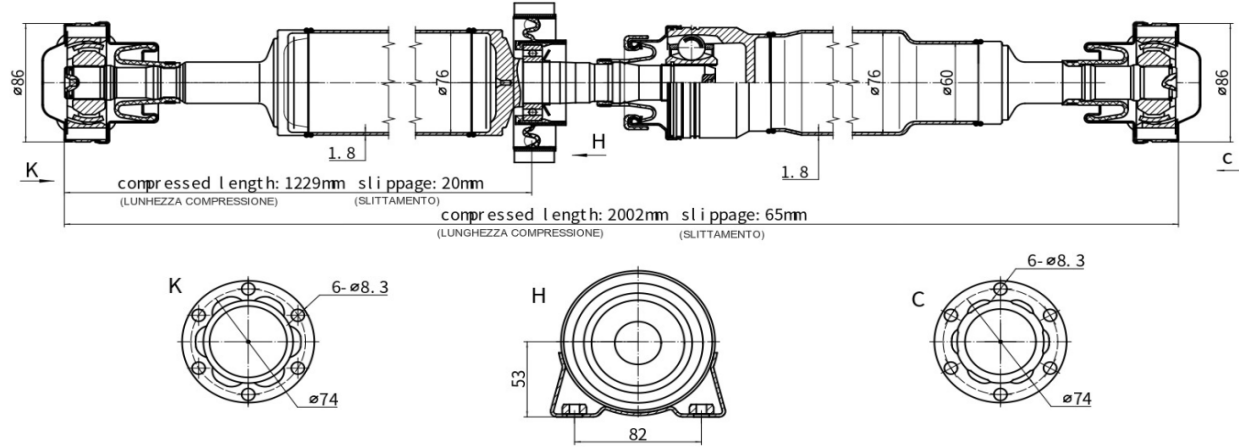
AC-0028



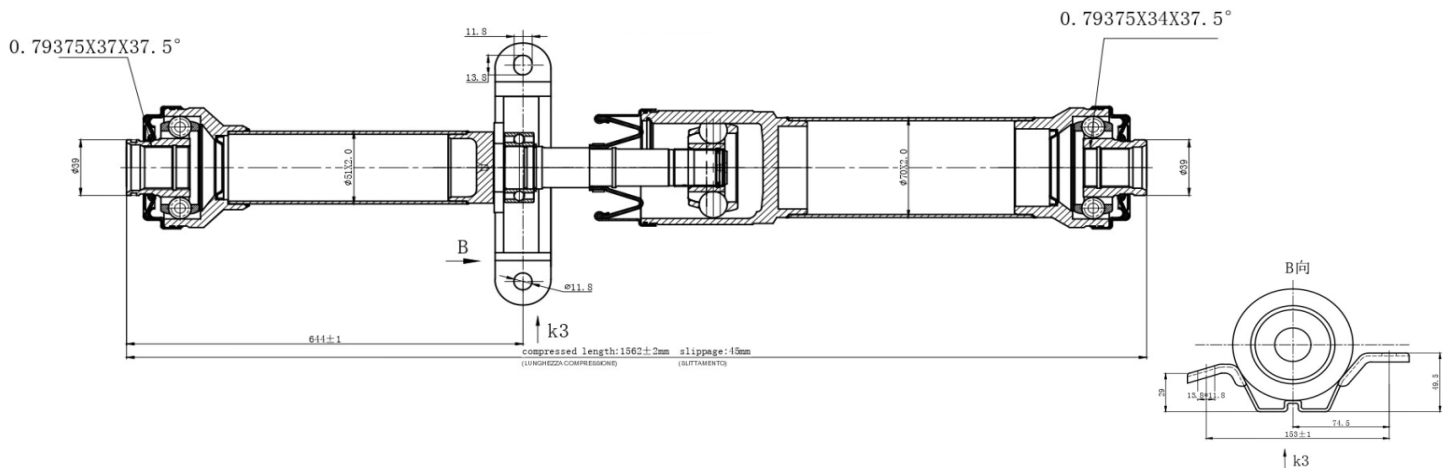
N.B.: I CODICI O.E. ED IL LORO TESTO SONO RIPOSTATI SOLO A TITOLO INDICATIVO
THE O.E. CODES AND THEIR TEXT ARE REPORTED ONLY FOR INDICATIVE PURPOSE

DISEGNI TECNICI - TECHNICAL DRAWINGS

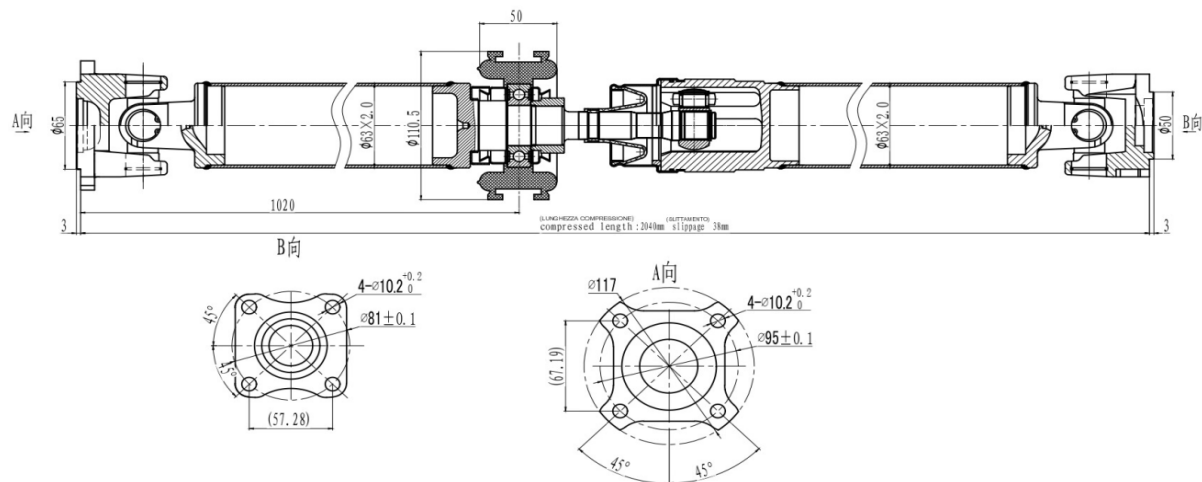
AC-0029



AC-0032



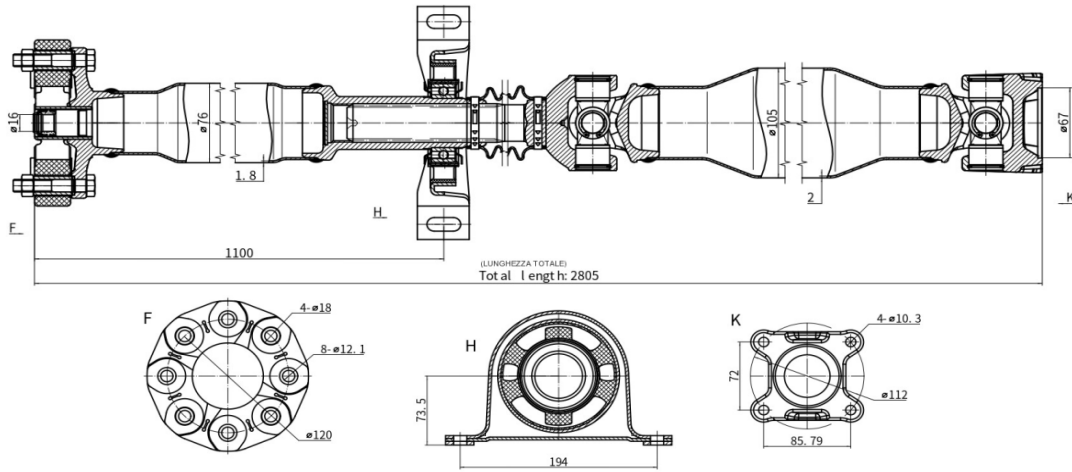
AC-0033



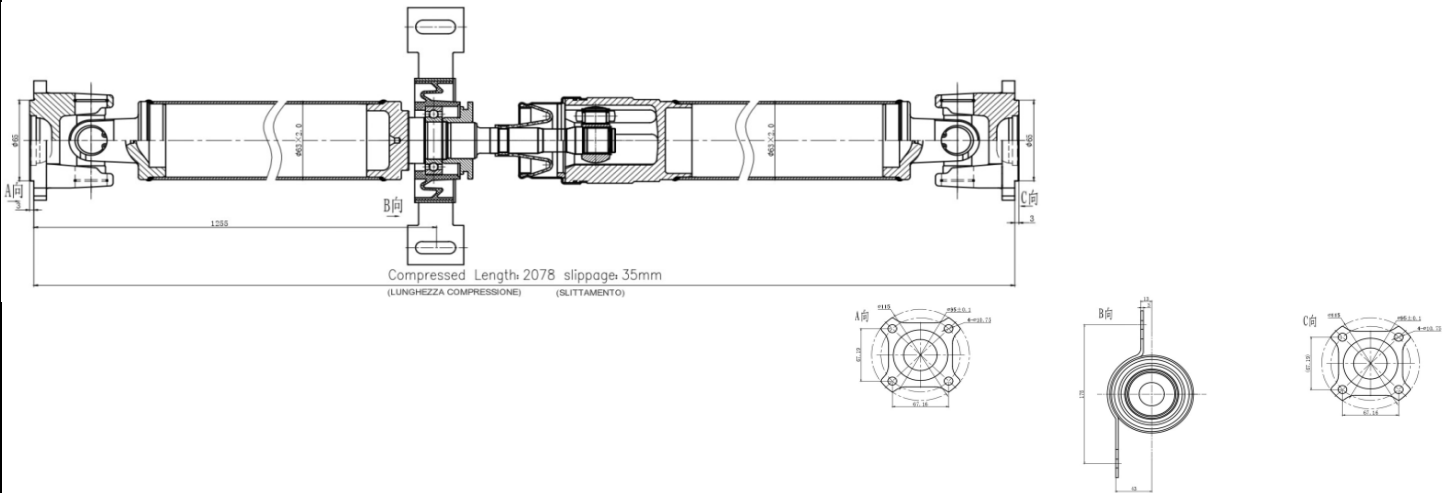
N.B.: I CODICI O.E. ED IL LORO TESTO SONO RIPIRTATI SOLO A TITOLO INDICATIVO
 THE O.E. CODES AND THEIR TEXT ARE REPORTED ONLY FOR INDICATIVE PURPOSE

DISEGNI TECNICI - TECHNICAL DRAWINGS

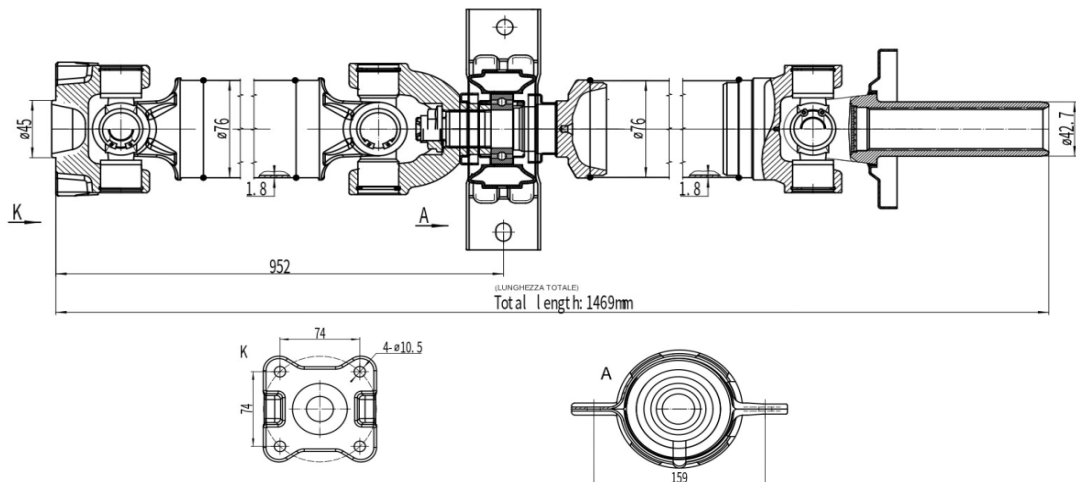
AC-0034



AC-0035



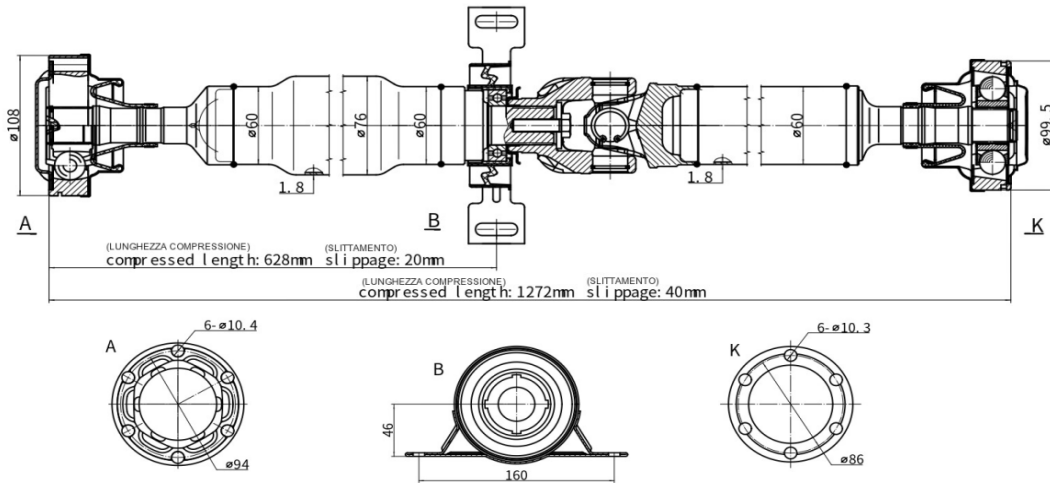
AC-0036



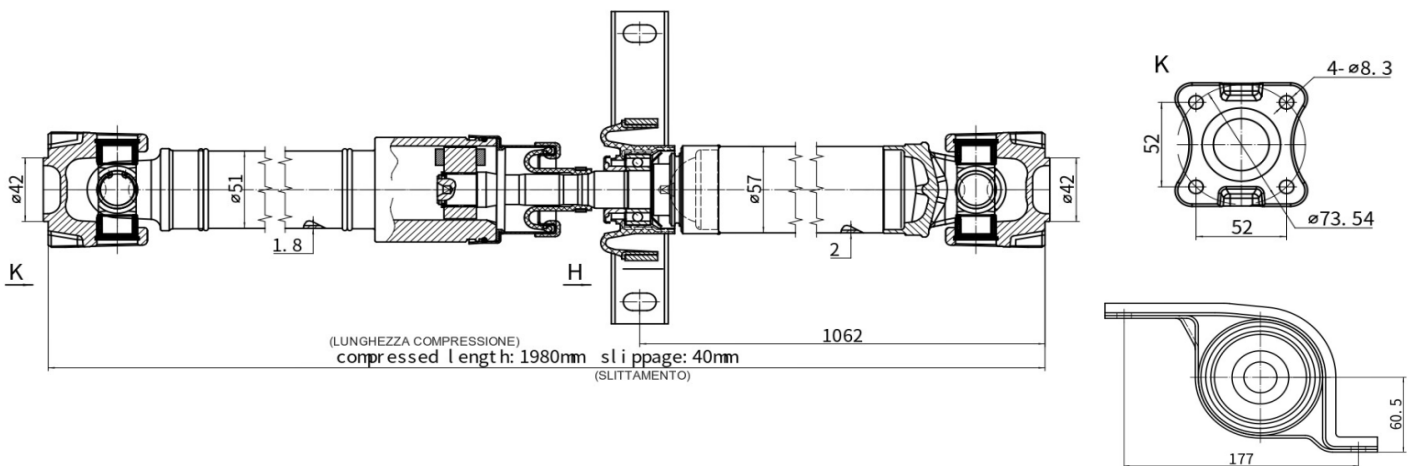
N.B.: I CODICI O.E. ED IL LORO TESTO SONO RIPORTATI SOLO A TITOLO INDICATIVO
 THE O.E. CODES AND THEIR TEXT ARE REPORTED ONLY FOR INDICATIVE PURPOSE

DISEGNI TECNICI - TECHNICAL DRAWINGS

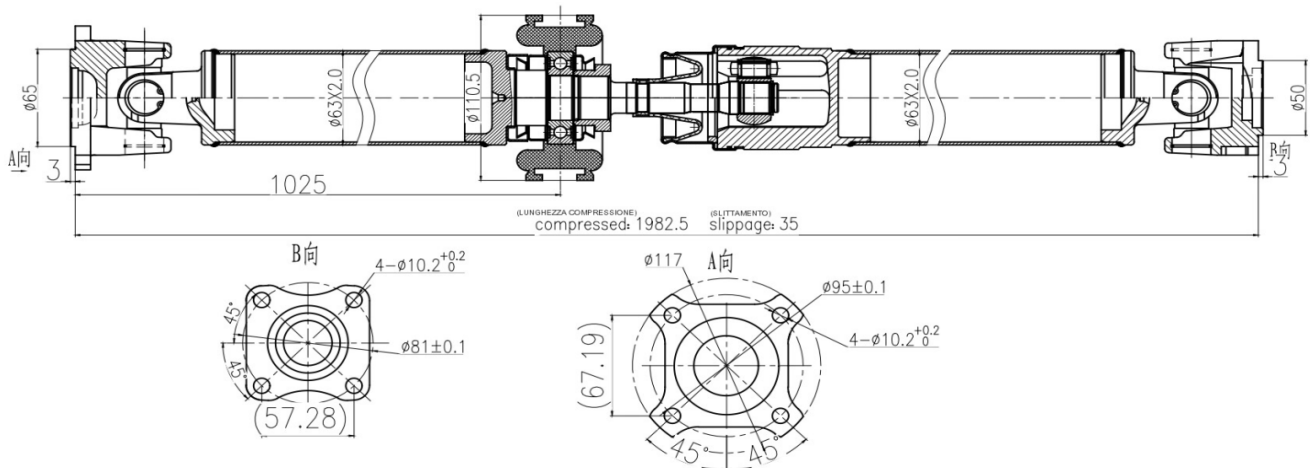
AC-0037



AC-0038



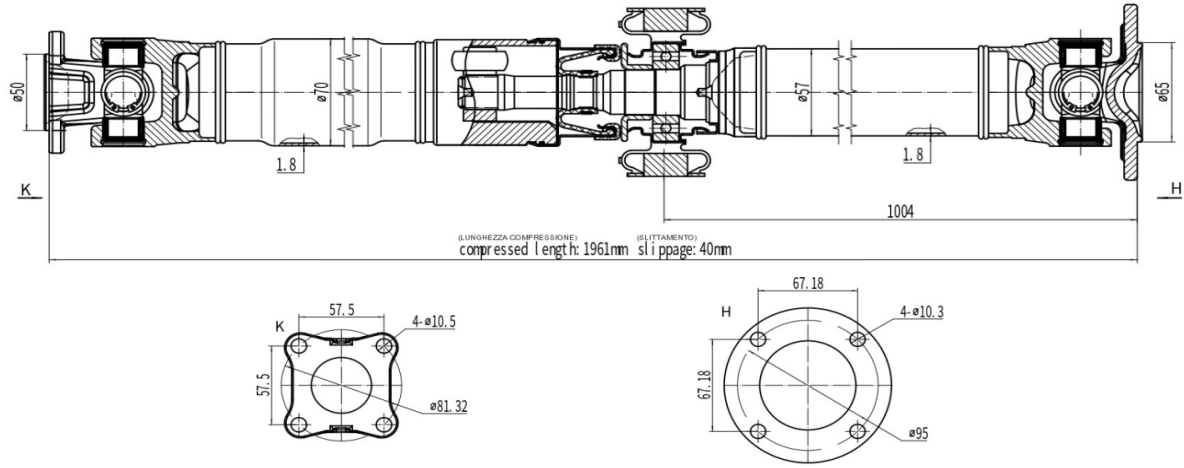
AC-0039



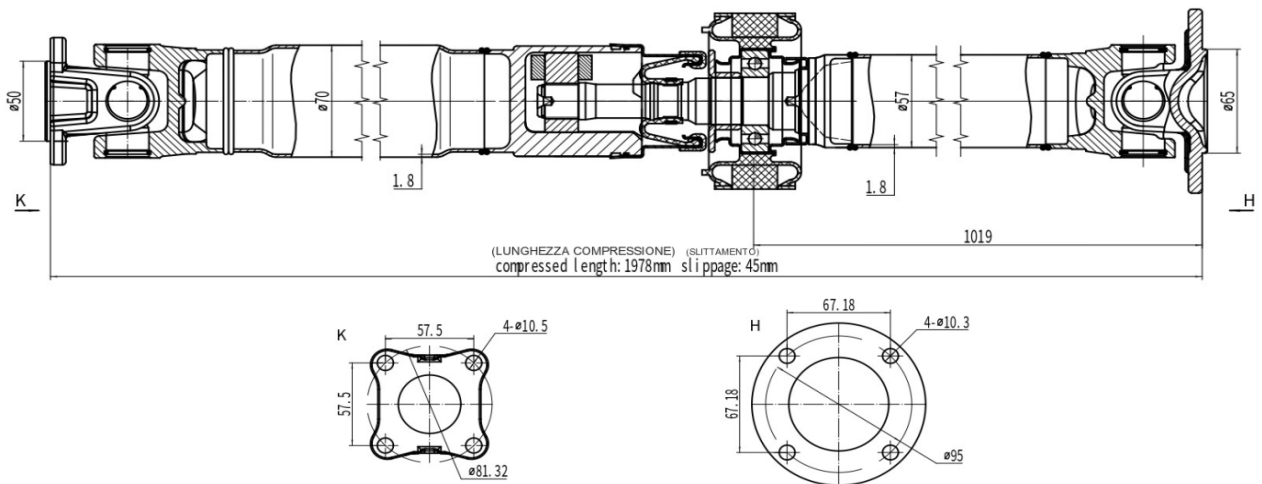
N.B.: I CODICI O.E. ED IL LORO TESTO SONO RIPORTATI SOLO A TITOLO INDICATIVO
 THE O.E. CODES AND THEIR TEXT ARE REPORTED ONLY FOR INDICATIVE PURPOSE

DISEGNI TECNICI - TECHNICAL DRAWINGS

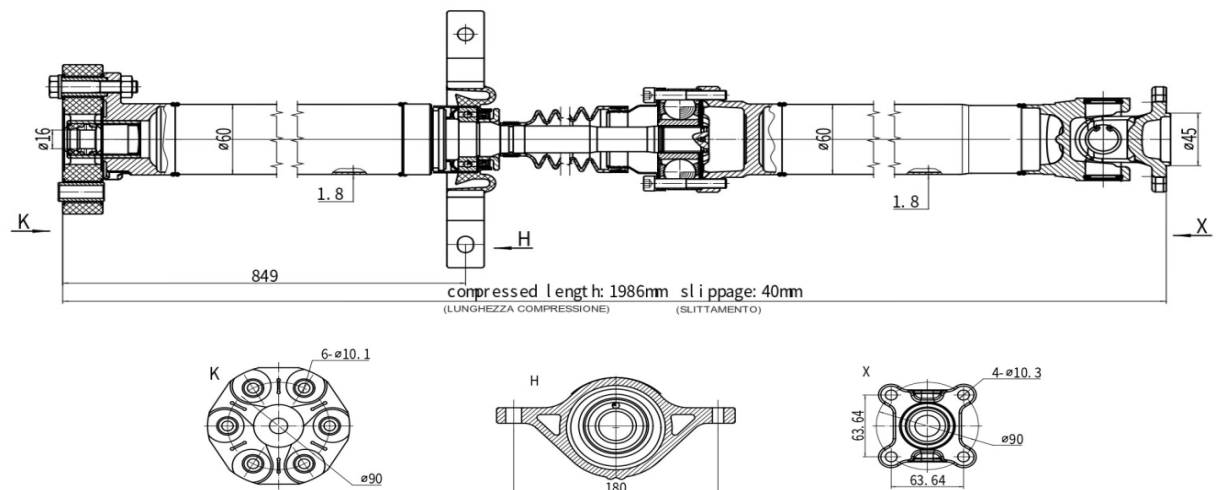
AC-0040



AC-0041



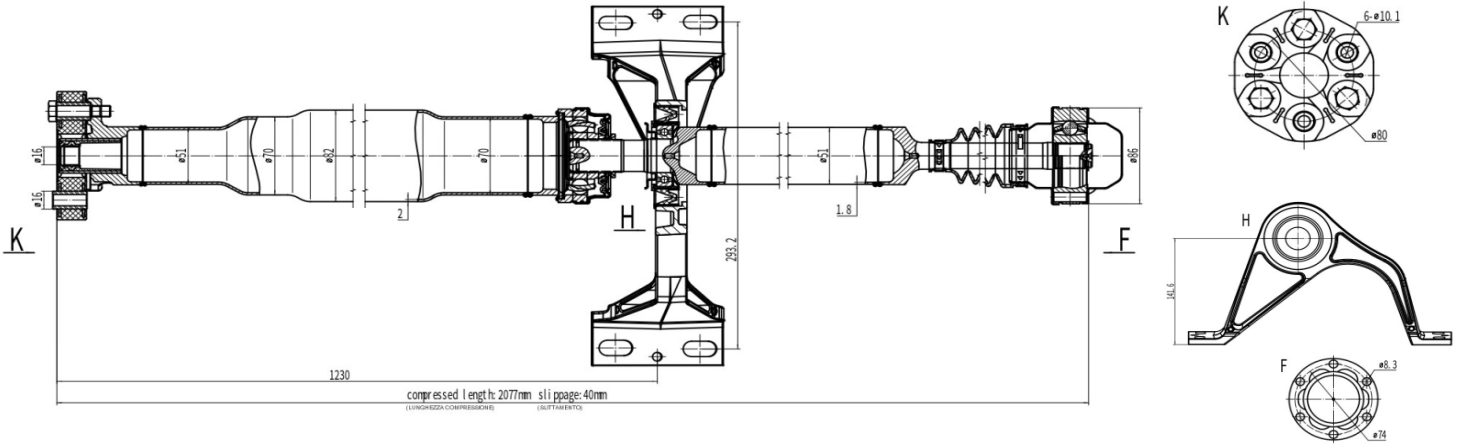
AC-0042



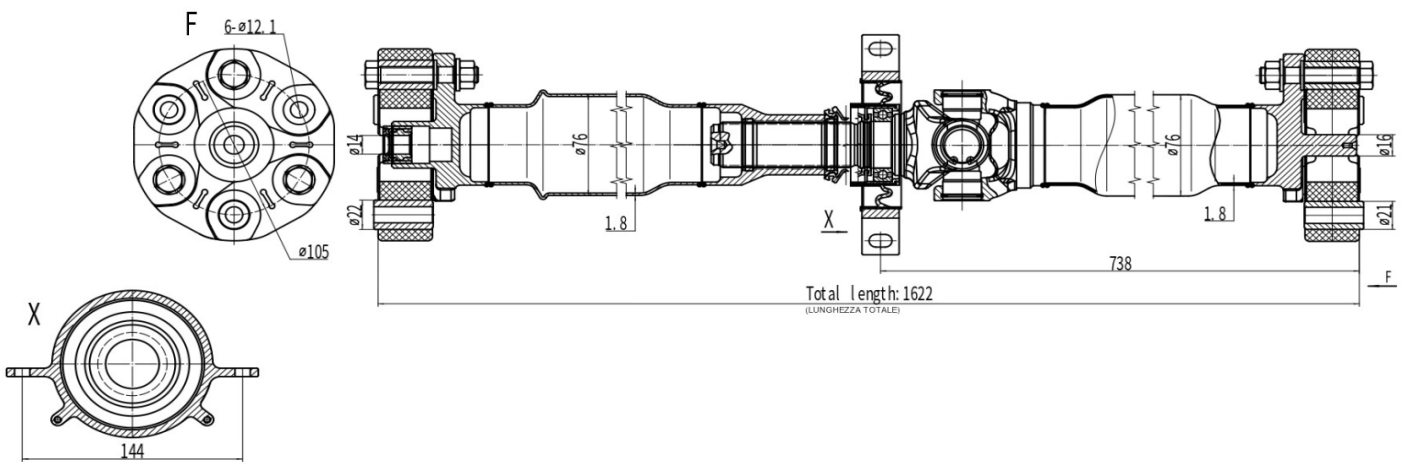
N.B.: I CODICI O.E. ED IL LORO TESTO SONO RIPORTATI SOLO A TITOLO INDICATIVO
THE O.E. CODES AND THEIR TEXT ARE REPORTED ONLY FOR INDICATIVE PURPOSE

DISEGNI TECNICI - TECHNICAL DRAWINGS

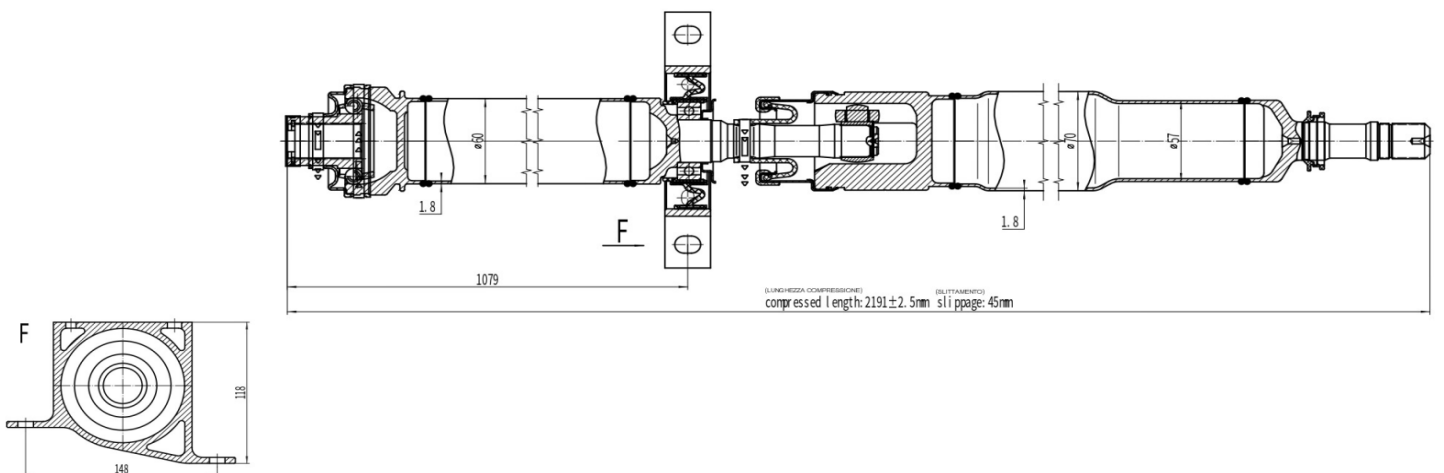
AC-0043



AC-0044

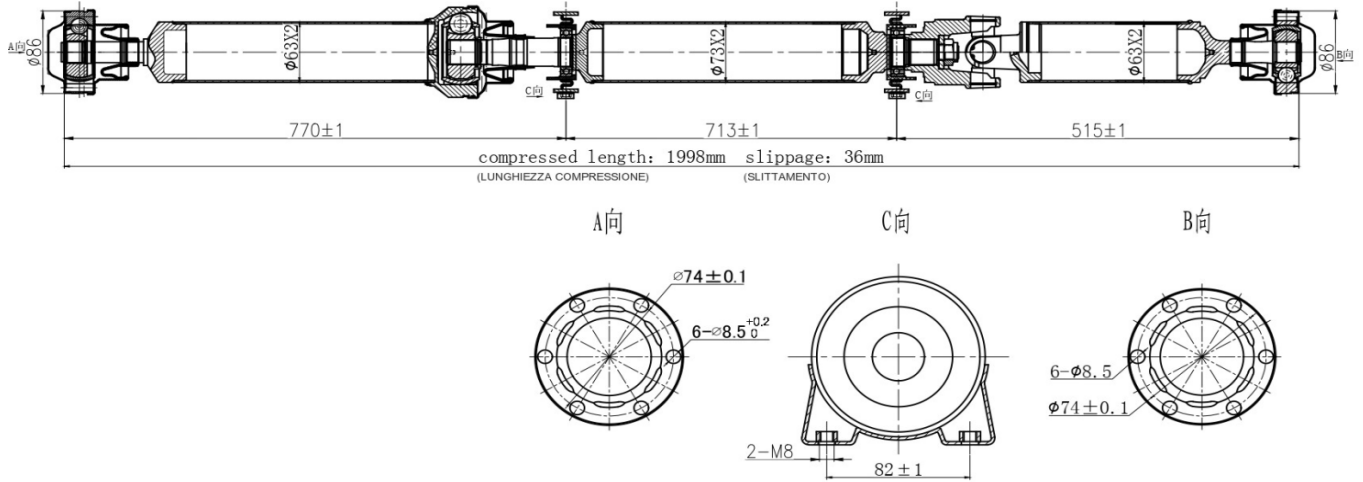


AC-0045

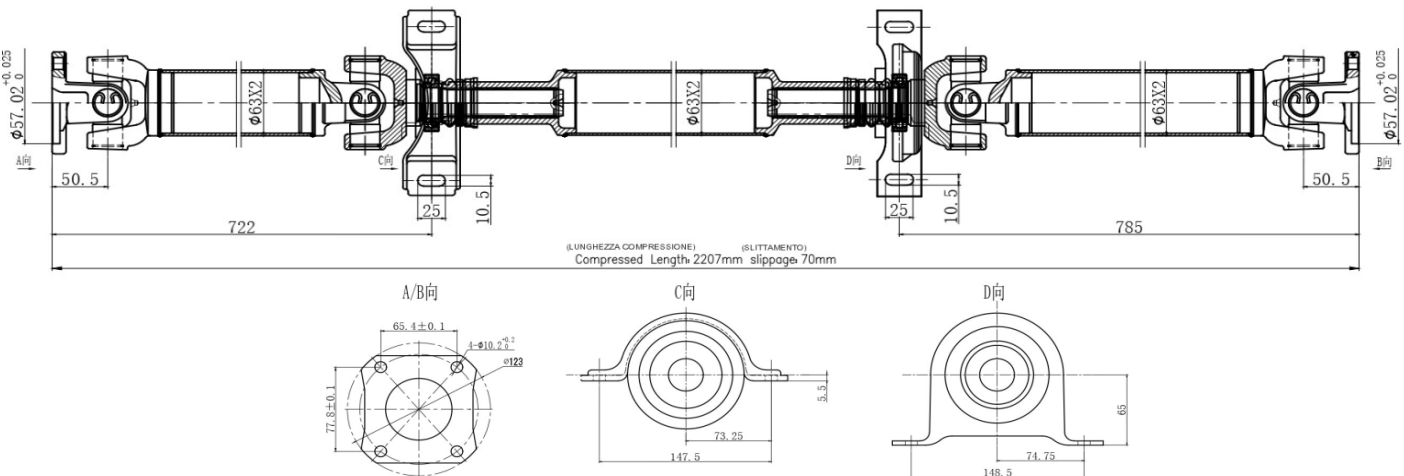


DISEGNI TECNICI - TECHNICAL DRAWINGS

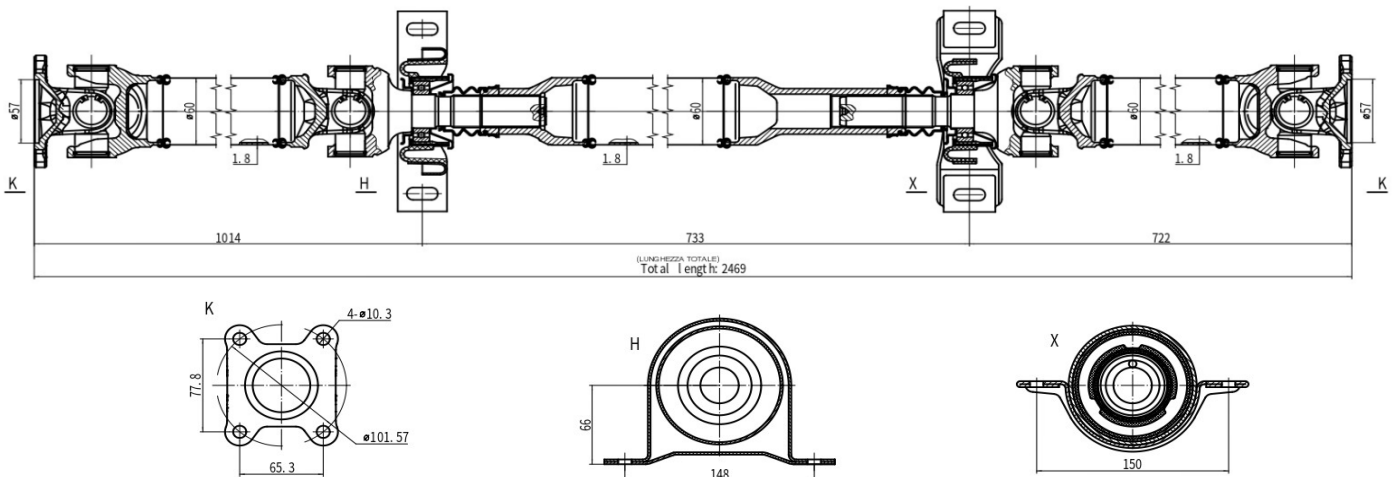
AC-0046



AC-0047



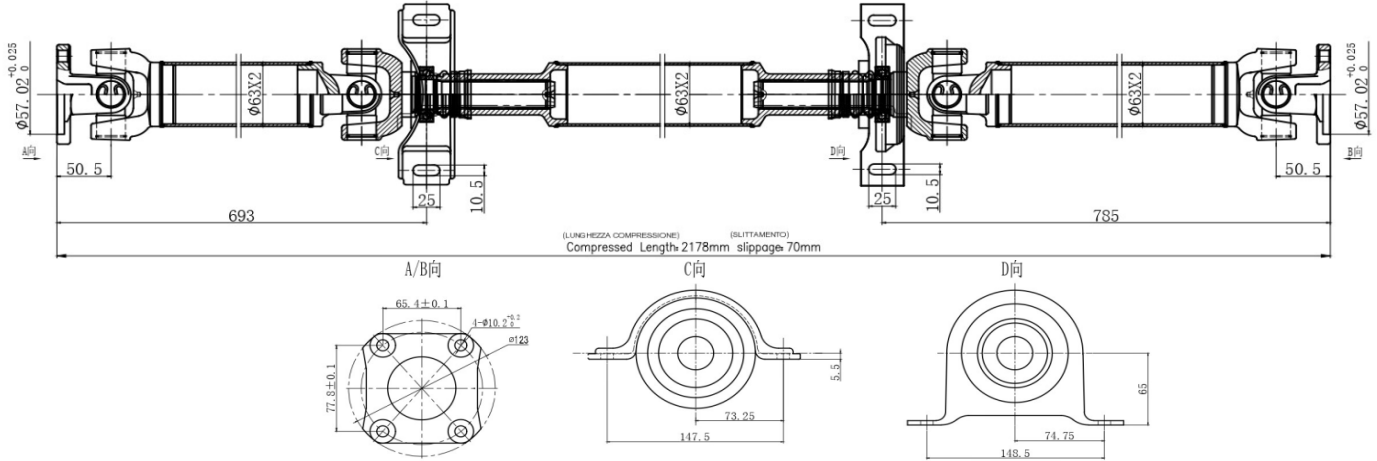
AC-0048



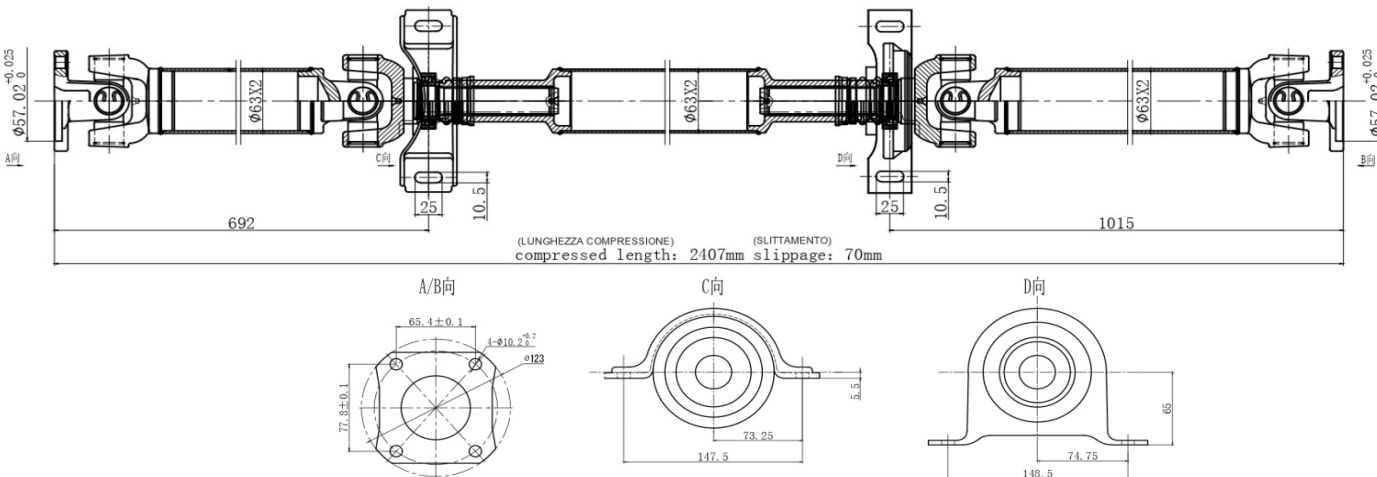
N.B.: I CODICI O.E. ED IL LORO TESTO SONO RIPOSTATI SOLO A TITOLO INDICATIVO
 THE O.E. CODES AND THEIR TEXT ARE REPORTED ONLY FOR INDICATIVE PURPOSE

DISEGNI TECNICI - TECHNICAL DRAWINGS

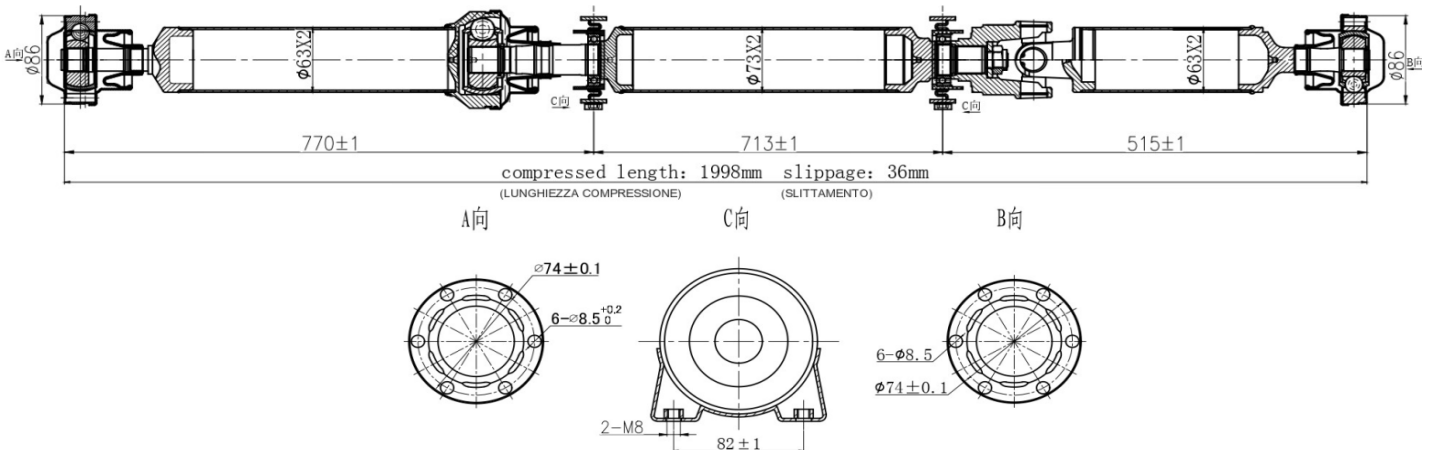
AC-0049



AC-0050



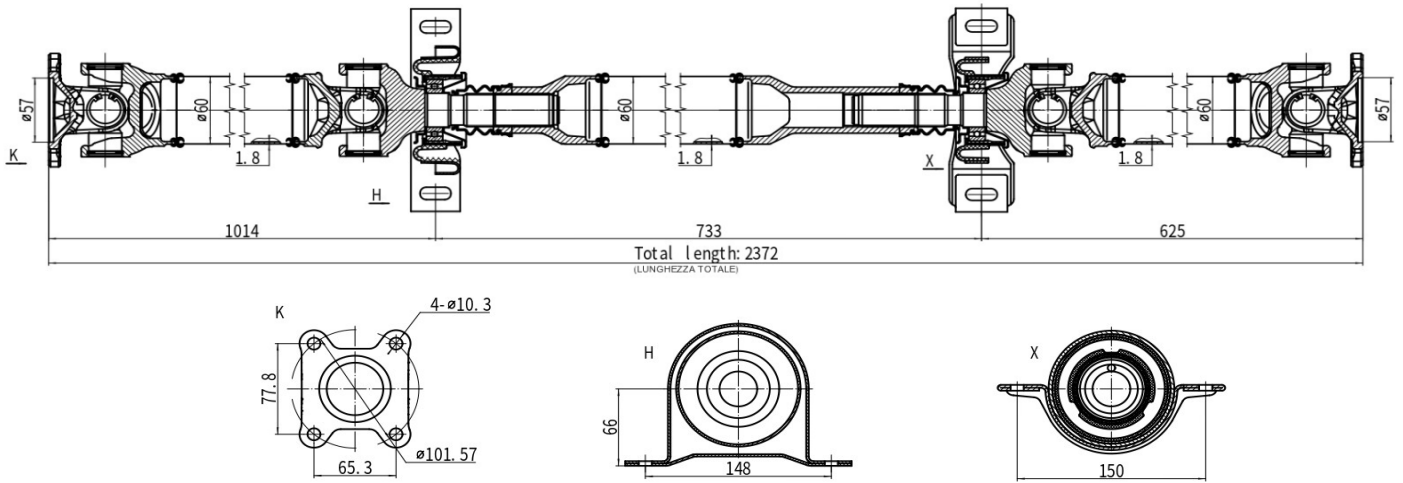
AC-0051



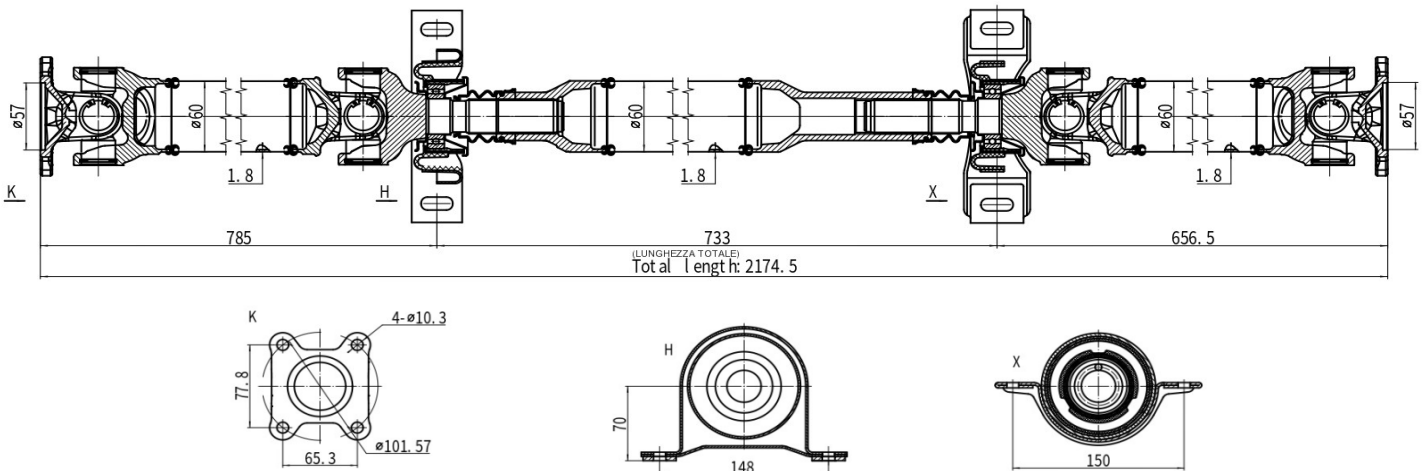
N.B.: I CODICI O.E. ED IL LORO TESTO SONO RIPORTATI SOLO A TITOLO INDICATIVO
 THE O.E. CODES AND THEIR TEXT ARE REPORTED ONLY FOR INDICATIVE PURPOSE

DISEGNI TECNICI - TECHNICAL DRAWINGS

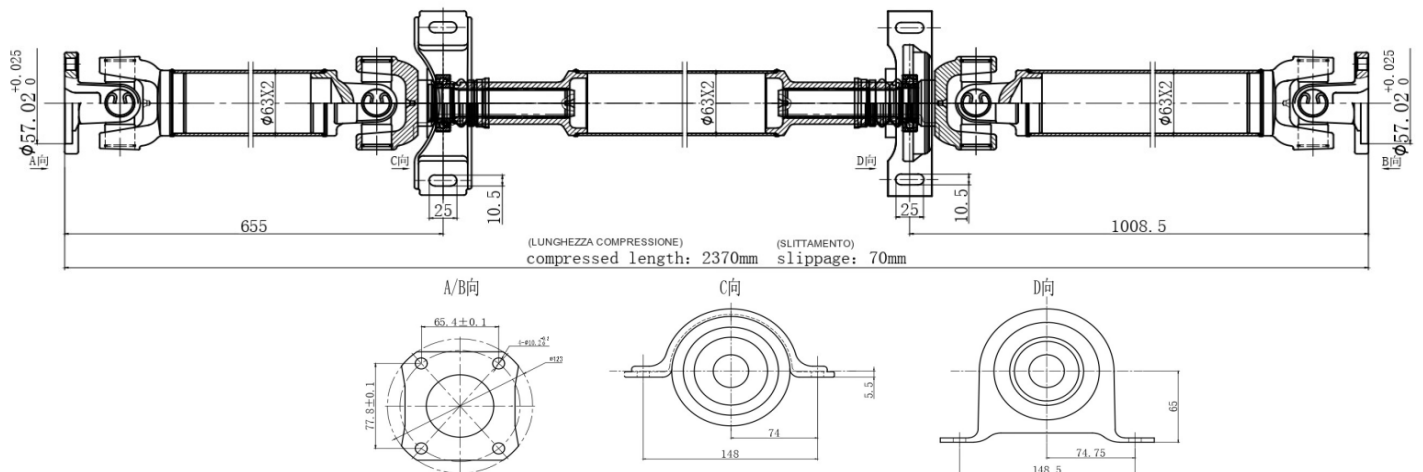
AC-0052



AC-0053



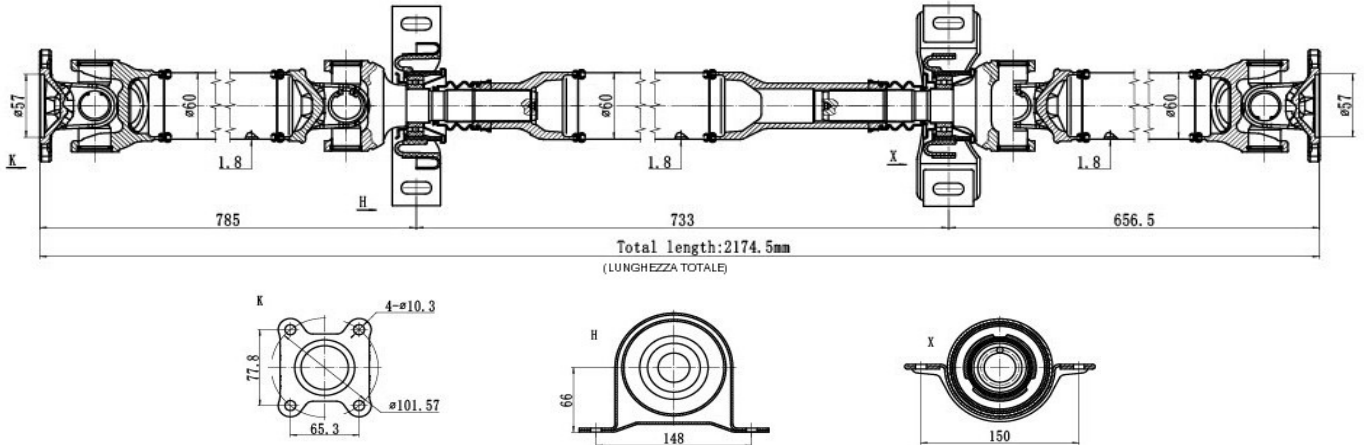
AC-0054



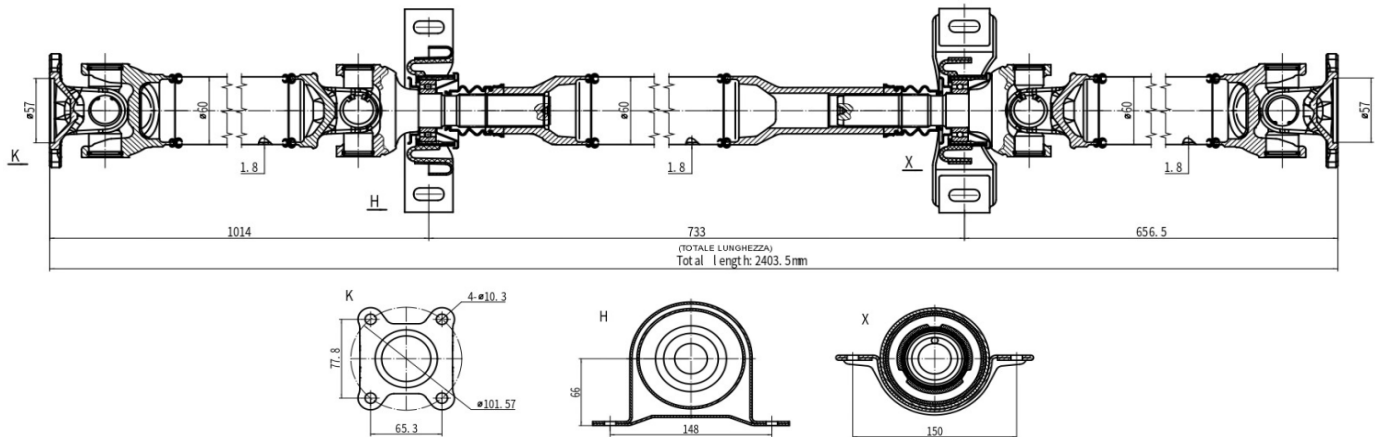
N.B.: I CODICI O.E. ED IL LORO TESTO SONO RIPORTATI SOLO A TITOLO INDICATIVO
 THE O.E. CODES AND THEIR TEXT ARE REPORTED ONLY FOR INDICATIVE PURPOSE

DISEGNI TECNICI - TECHNICAL DRAWINGS

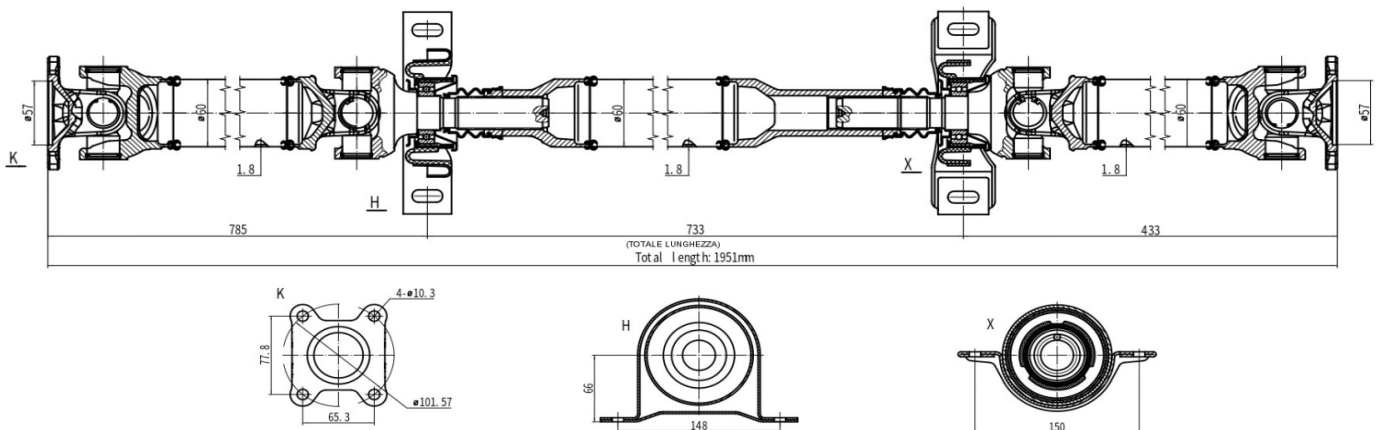
AC-0055



AC-0056



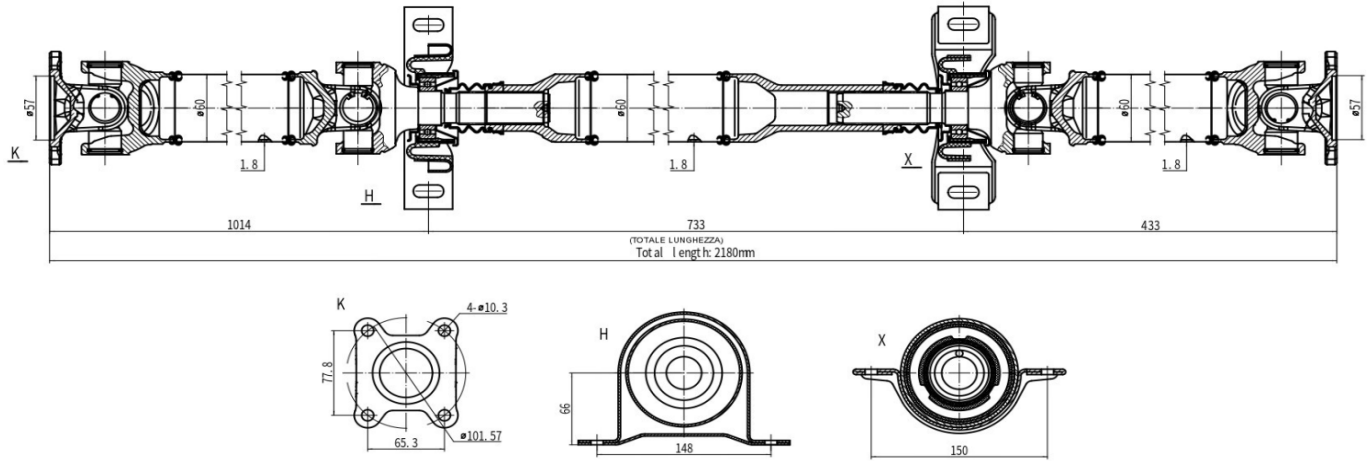
AC-0057



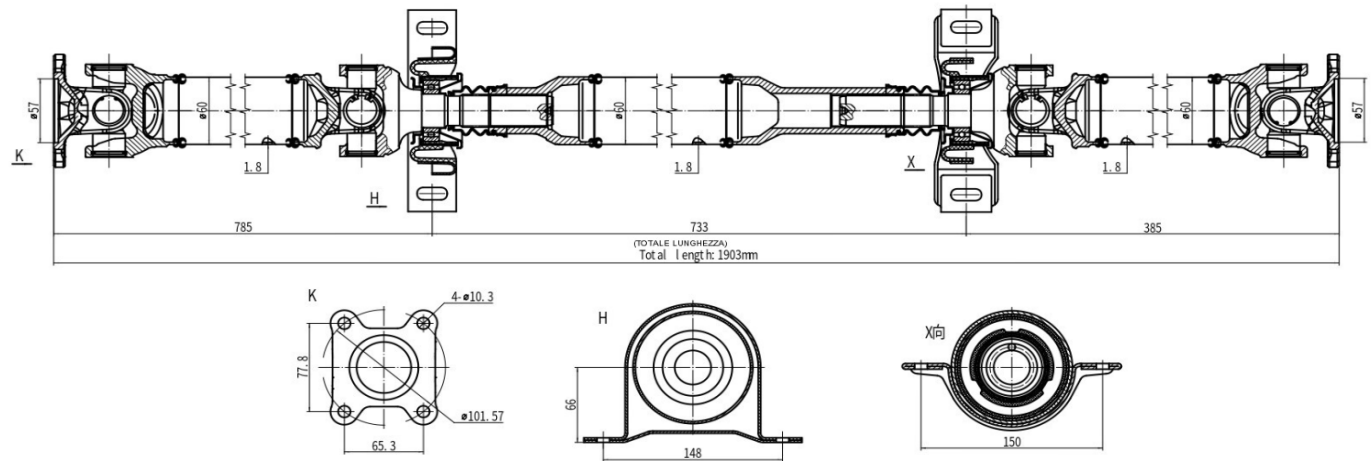
N.B.: I CODICI O.E. ED IL LORO TESTO SONO RIPORTATI SOLO A TITOLO INDICATIVO
 THE O.E. CODES AND THEIR TEXT ARE REPORTED ONLY FOR INDICATIVE PURPOSE

DISEGNI TECNICI - TECHNICAL DRAWINGS

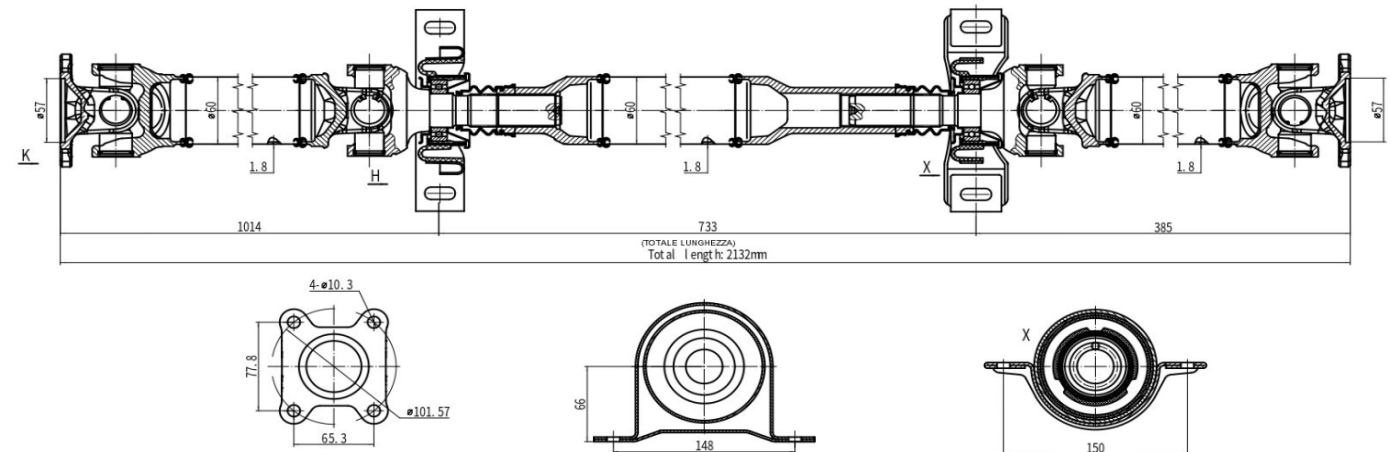
AC-0058



AC-0059



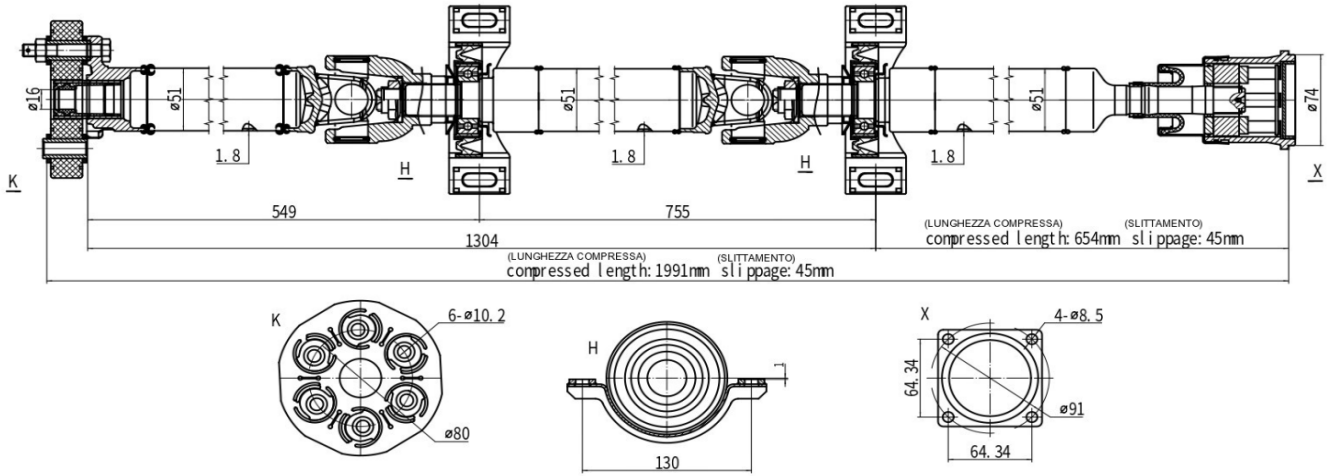
AC-0060



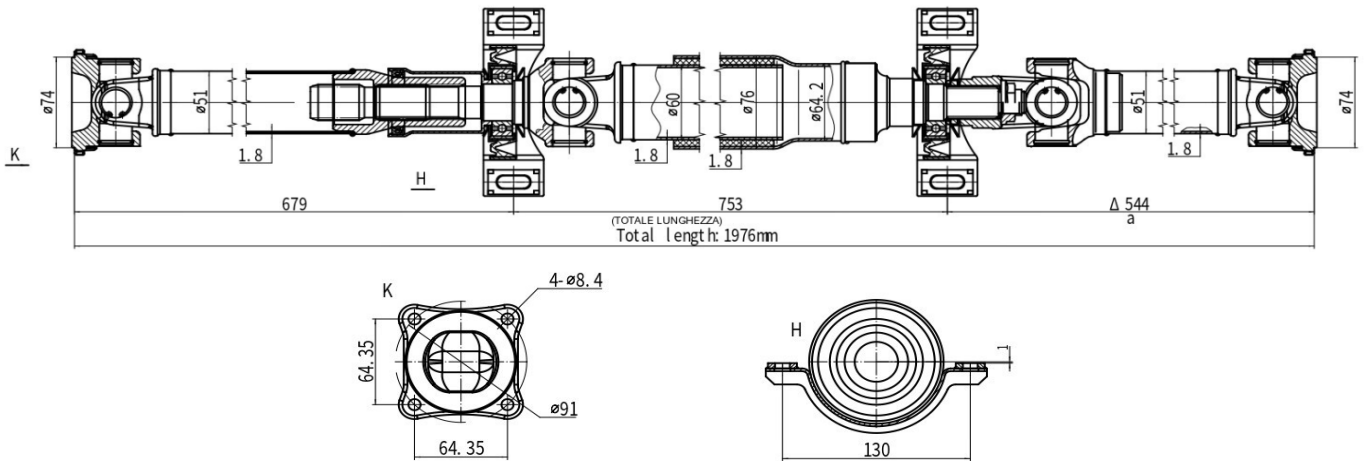
N.B.: I CODICI O.E. ED IL LORO TESTO SONO RIPORTATI SOLO A TITOLO INDICATIVO
 THE O.E. CODES AND THEIR TEXT ARE REPORTED ONLY FOR INDICATIVE PURPOSE

DISEGNI TECNICI - TECHNICAL DRAWINGS

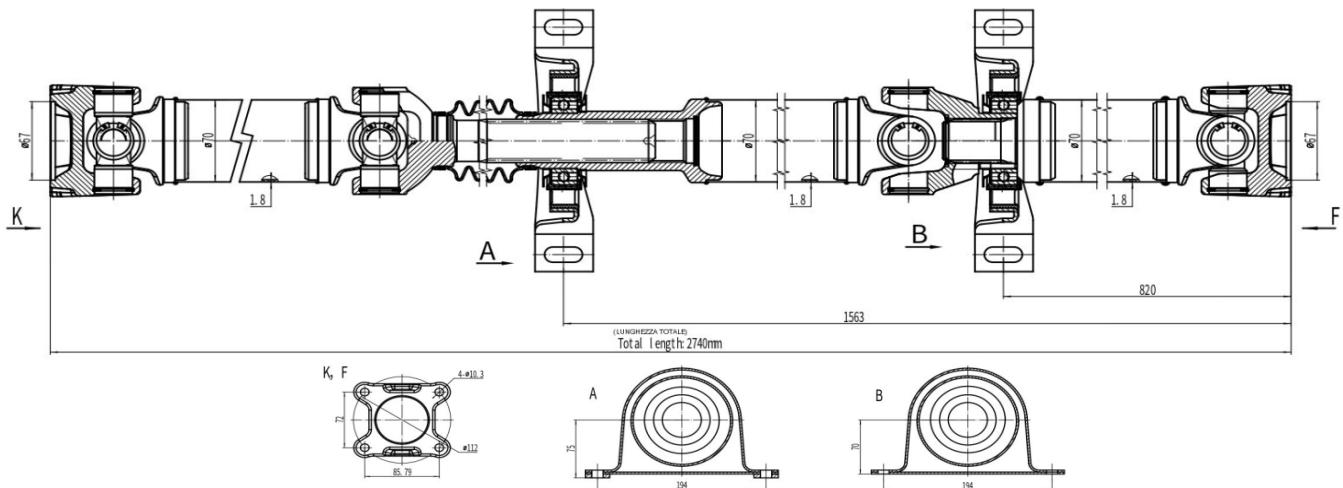
AC-0061



AC-0062



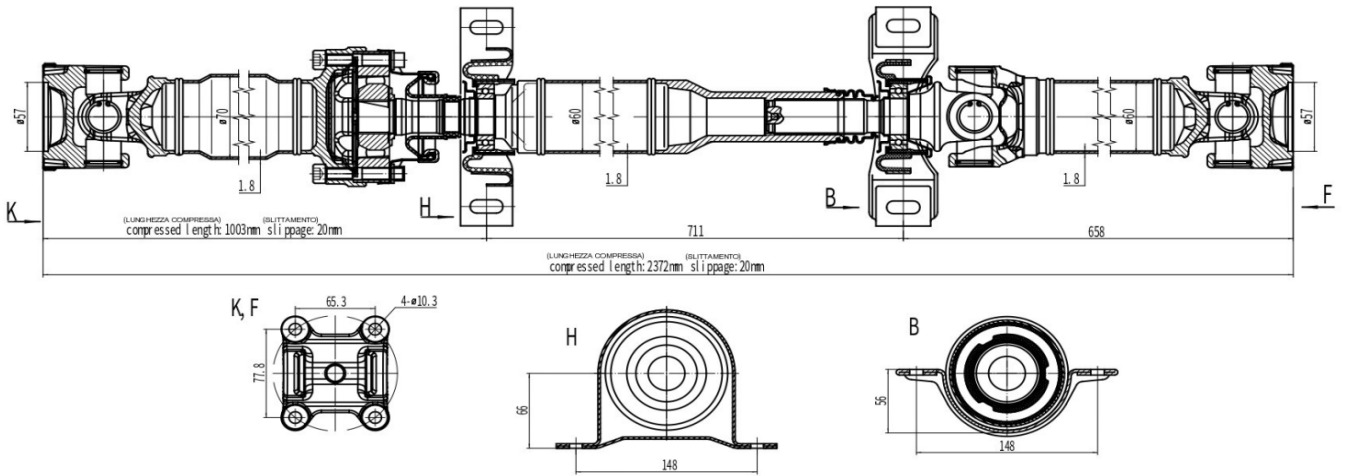
AC-0063



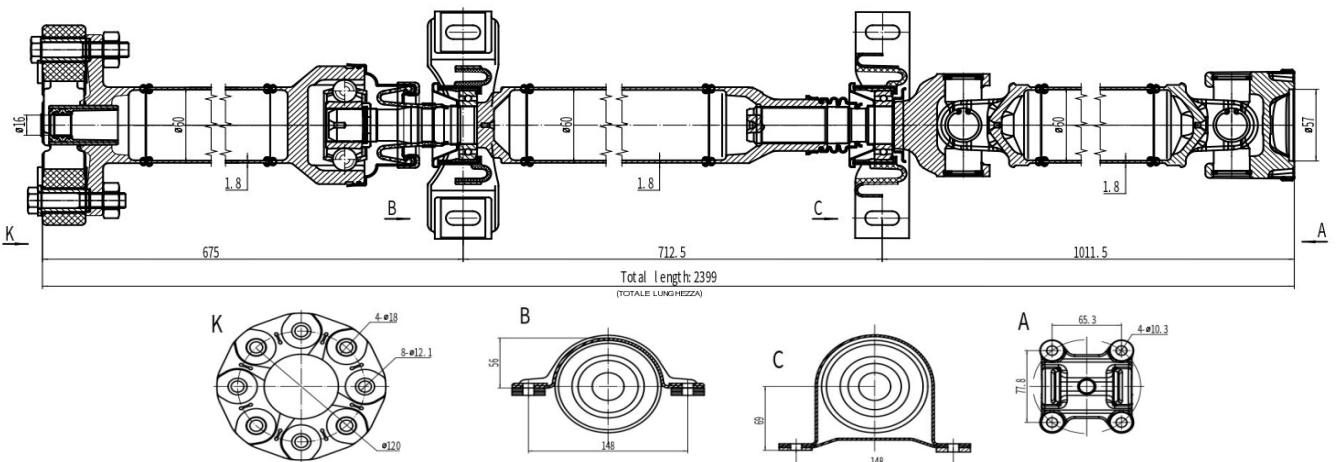
N.B.: I CODICI O.E. ED IL LORO TESTO SONO RIPOSTATI SOLO A TITOLO INDICATIVO
 THE O.E. CODES AND THEIR TEXT ARE REPORTED ONLY FOR INDICATIVE PURPOSE

DISEGNI TECNICI - TECHNICAL DRAWINGS

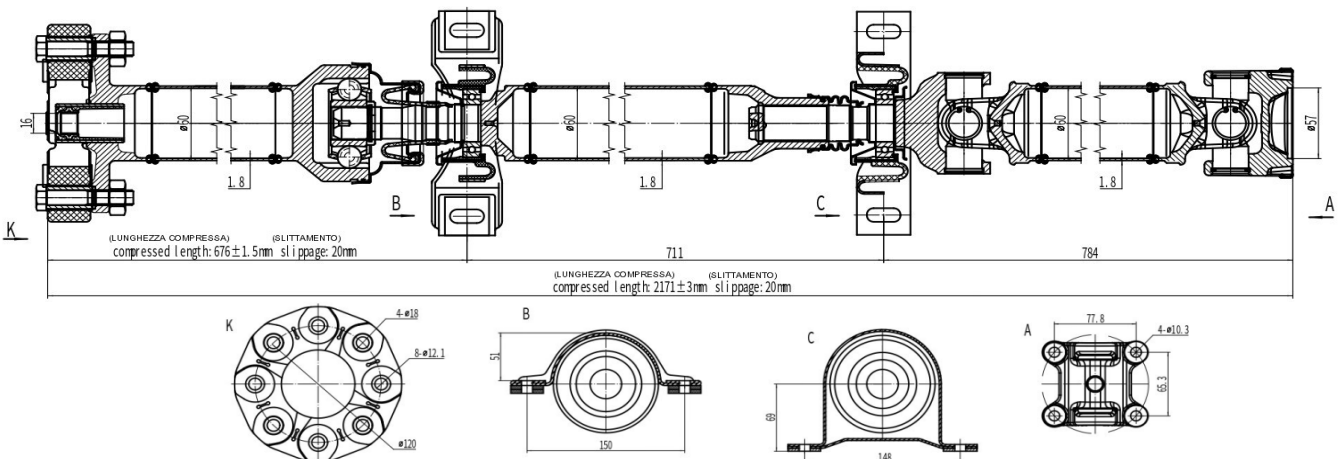
AC-0064



AC-0065



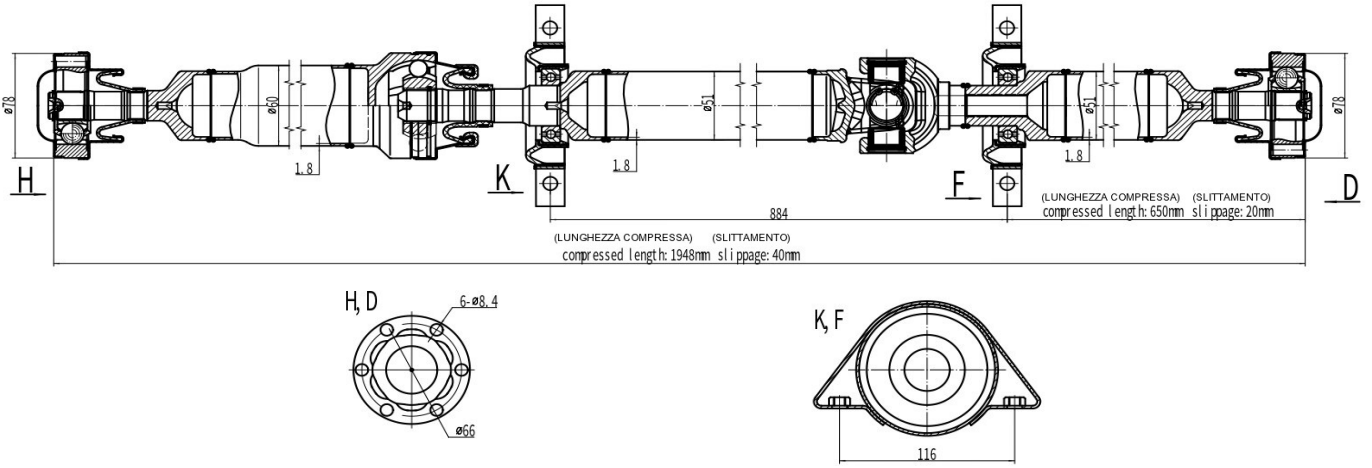
AC-0066



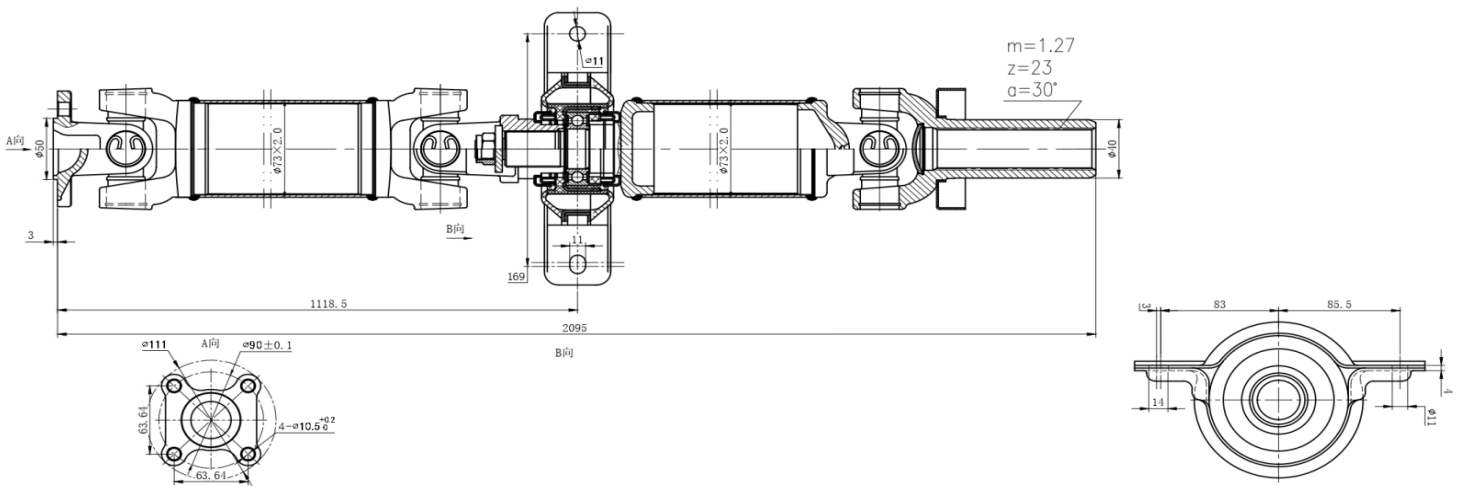
N.B.: I CODICI O.E. ED IL LORO TESTO SONO RIPORTATI SOLO A TITOLO INDICATIVO
 THE O.E. CODES AND THEIR TEXT ARE REPORTED ONLY FOR INDICATIVE PURPOSE

DISEGNI TECNICI - TECHNICAL DRAWINGS

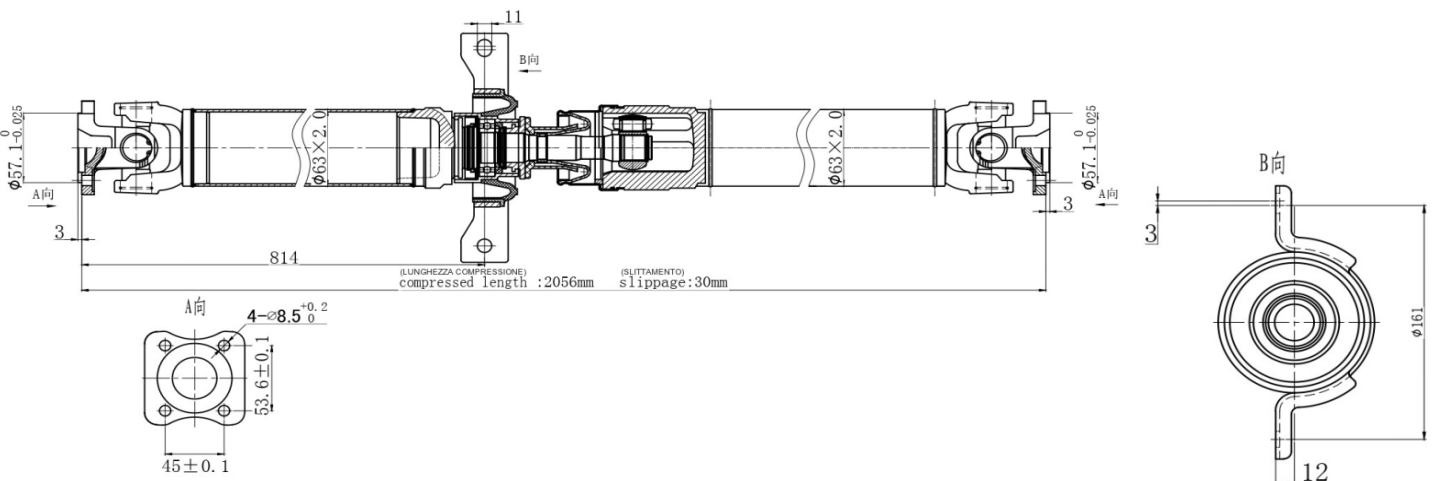
AC-0067



AC-0068



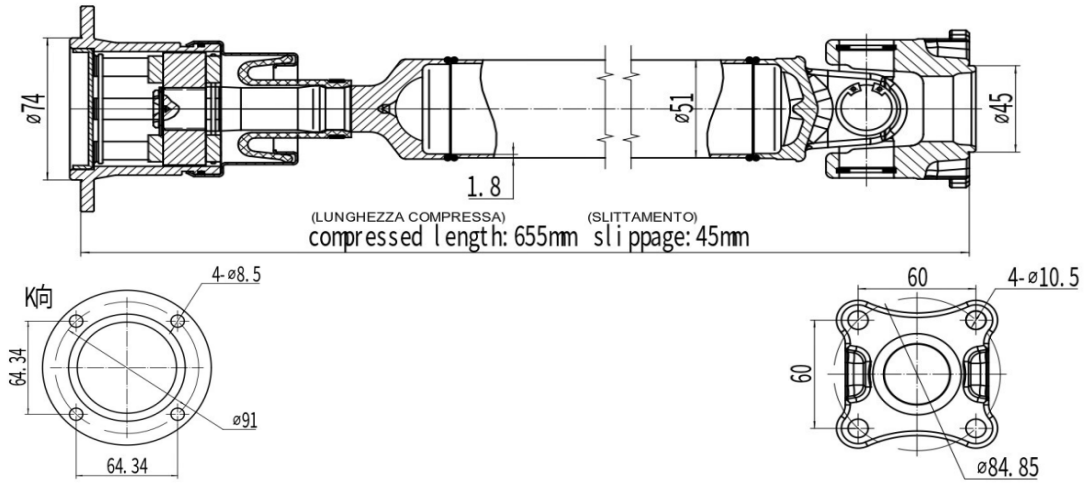
AC-0070



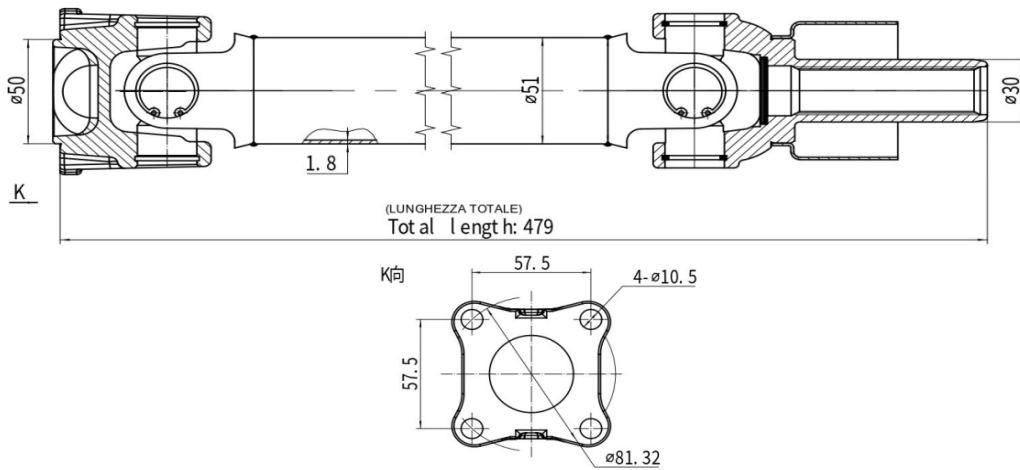
N.B.: I CODICI O.E. ED IL LORO TESTO SONO RIPIPORTATI SOLO A TITOLO INDICATIVO
THE O.E. CODES AND THEIR TEXT ARE REPORTED ONLY FOR INDICATIVE PURPOSE

DISEGNI TECNICI - TECHNICAL DRAWINGS

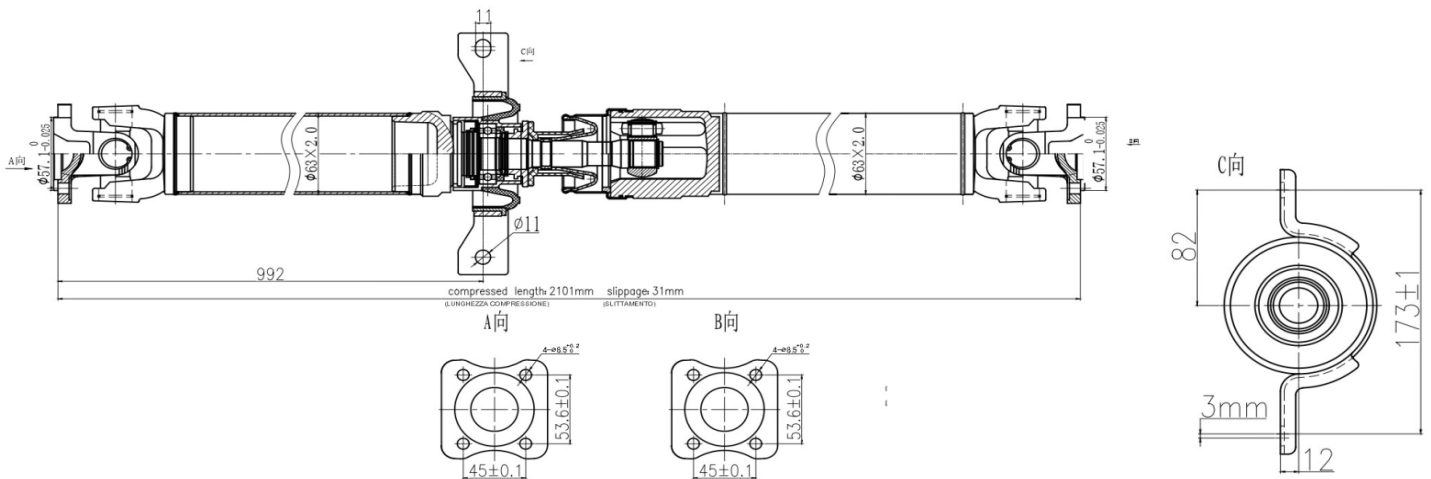
AC-0071



AC-0072



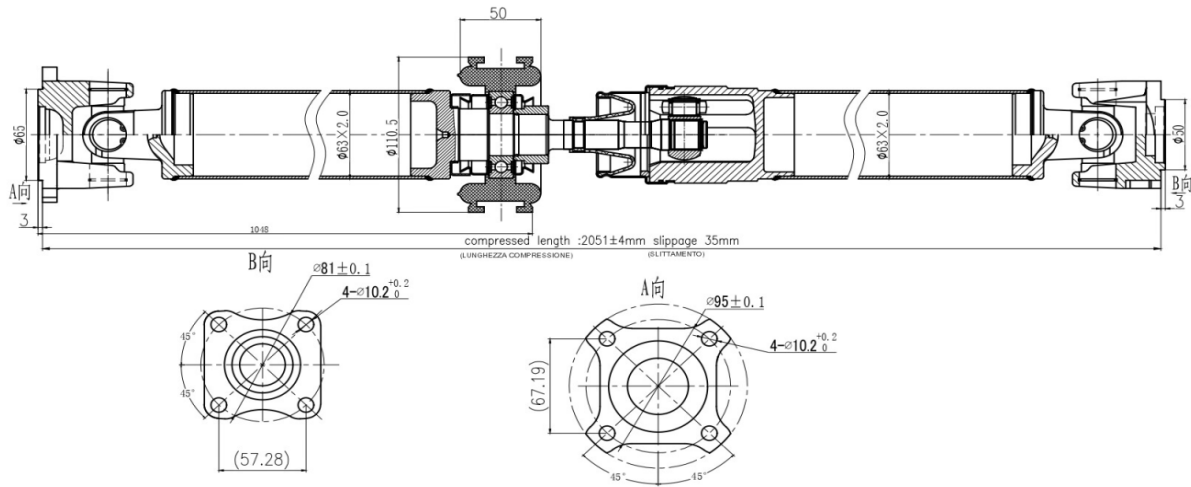
AC-0073



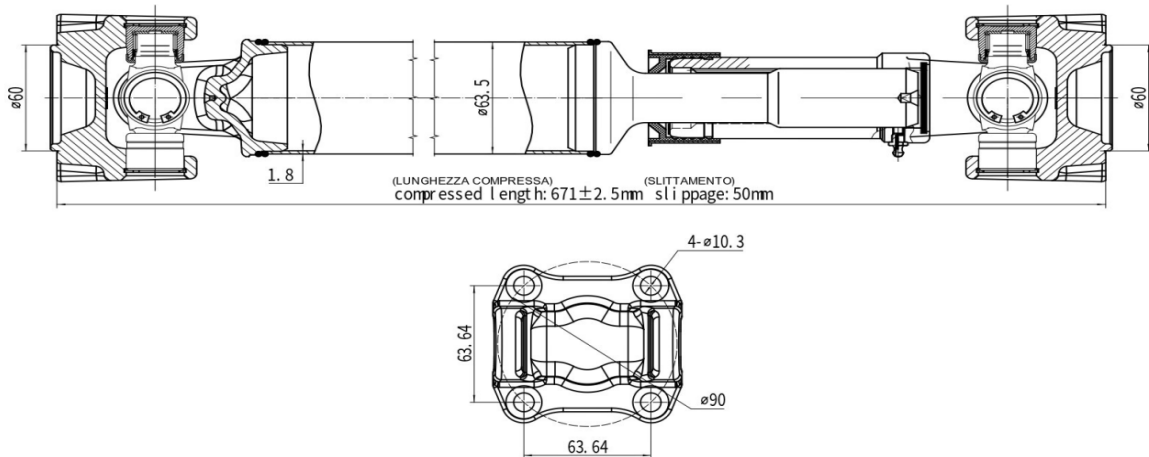
N.B.: I CODICI O.E. ED IL LORO TESTO SONO RIPORTATI SOLO A TITOLO INDICATIVO
 THE O.E. CODES AND THEIR TEXT ARE REPORTED ONLY FOR INDICATIVE PURPOSE

DISEGNI TECNICI - TECHNICAL DRAWINGS

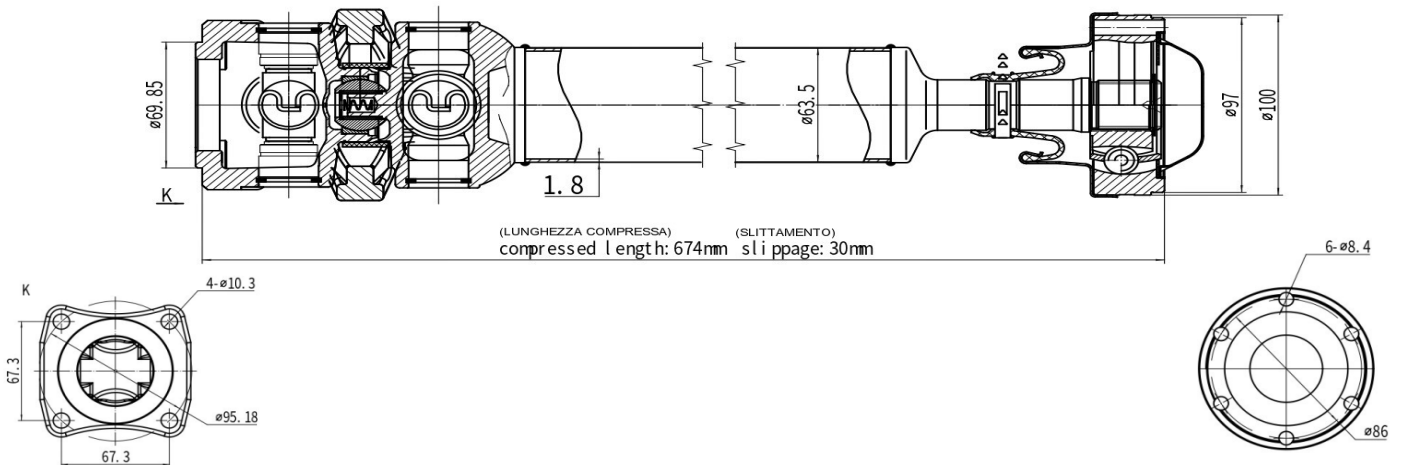
AC-0074



AC-0075



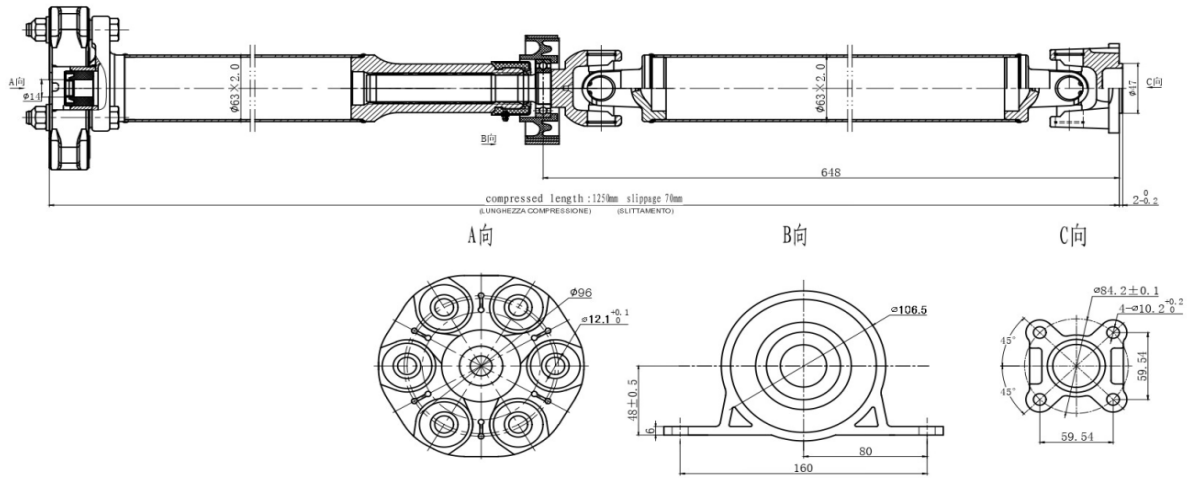
AC-0076



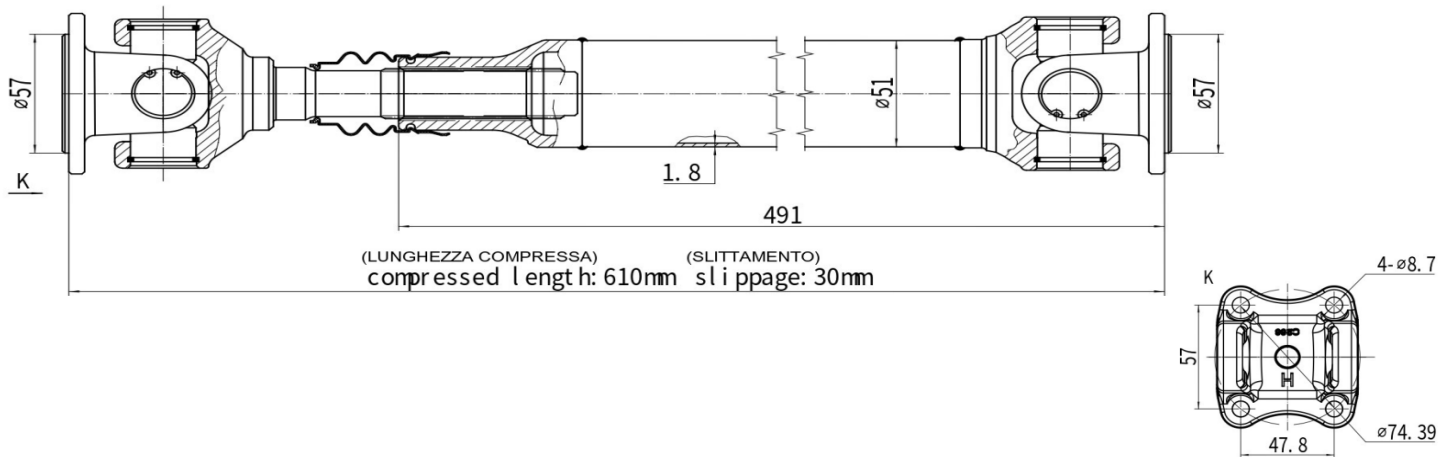
N.B.: I CODICI O.E. ED IL LORO TESTO SONO RIPORTATI SOLO A TITOLO INDICATIVO
 THE O.E. CODES AND THEIR TEXT ARE REPORTED ONLY FOR INDICATIVE PURPOSE

DISEGNI TECNICI - TECHNICAL DRAWINGS

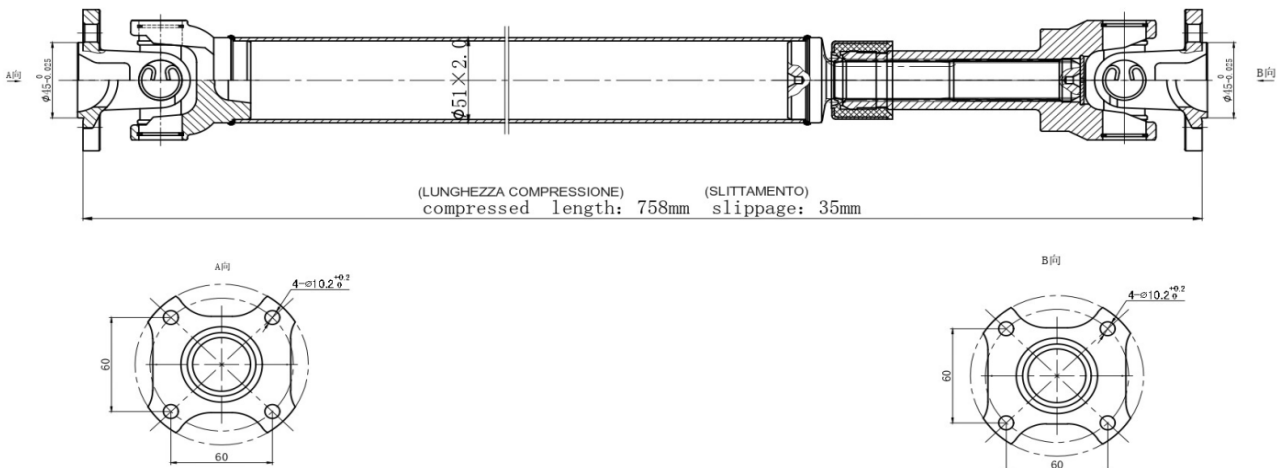
AC-0077



AC-0078



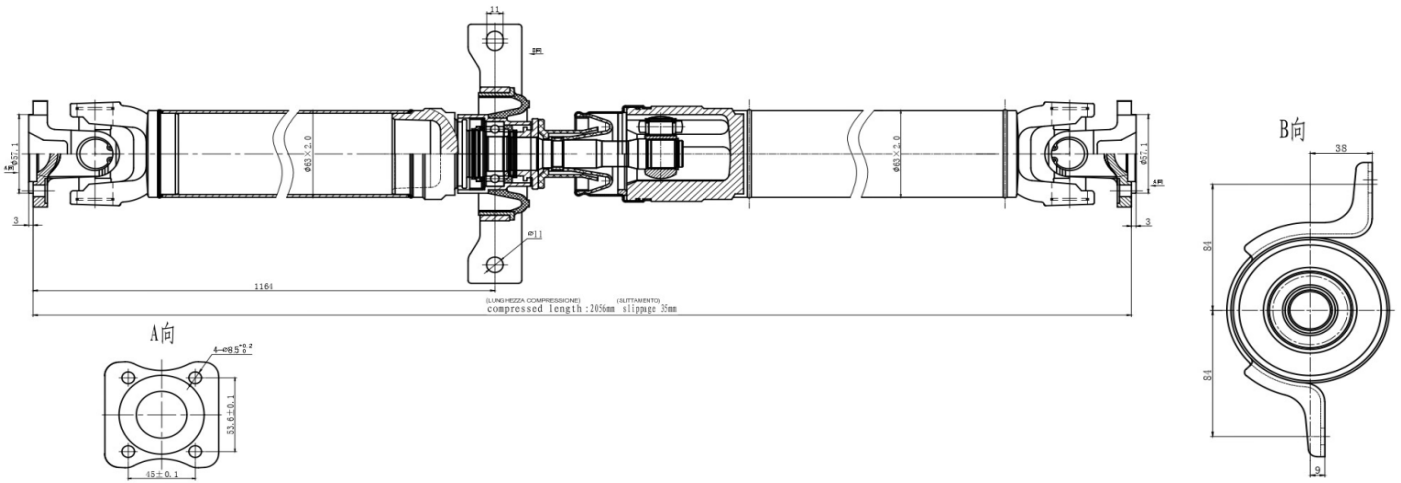
AC-0079



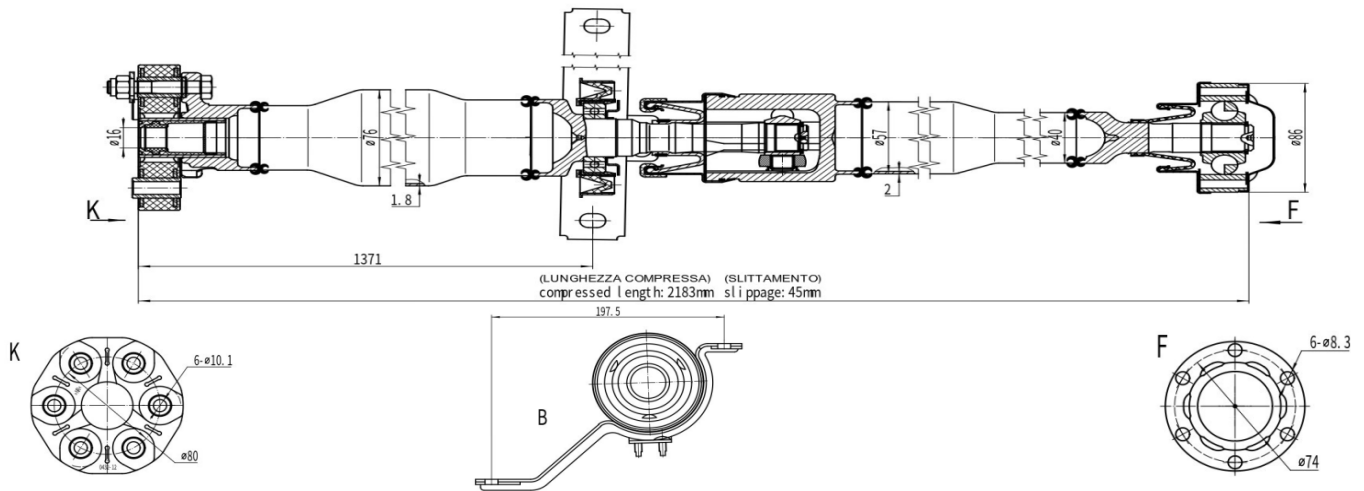
N.B.: I CODICI O.E. ED IL LORO TESTO SONO RIPORTATI SOLO A TITOLO INDICATIVO
 THE O.E. CODES AND THEIR TEXT ARE REPORTED ONLY FOR INDICATIVE PURPOSE

DISEGNI TECNICI - TECHNICAL DRAWINGS

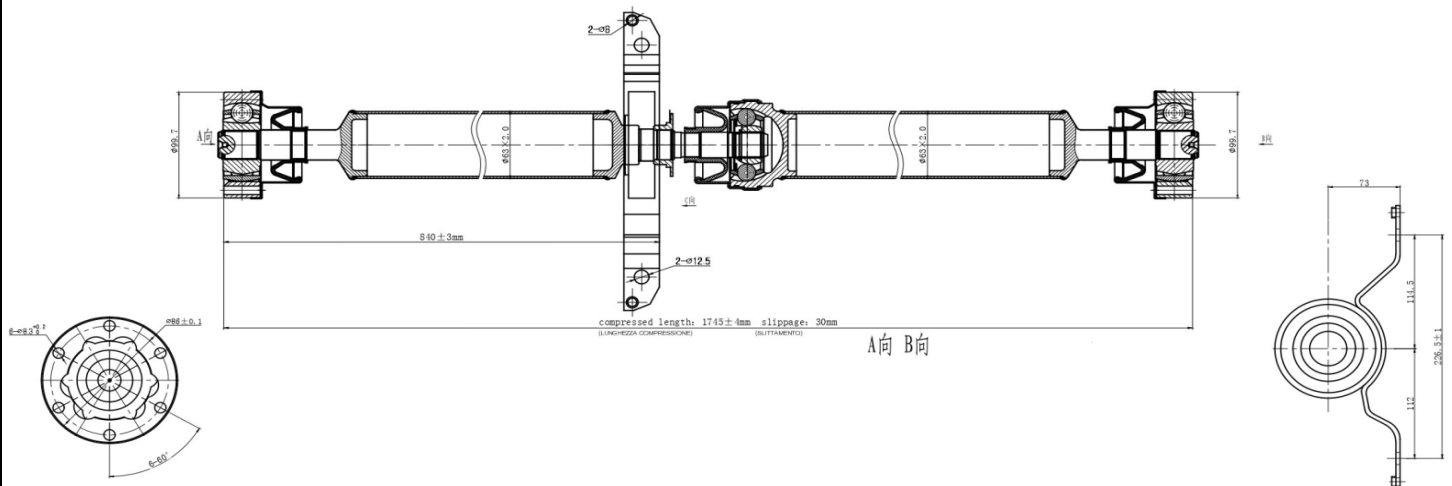
AC-0080



AC-0081



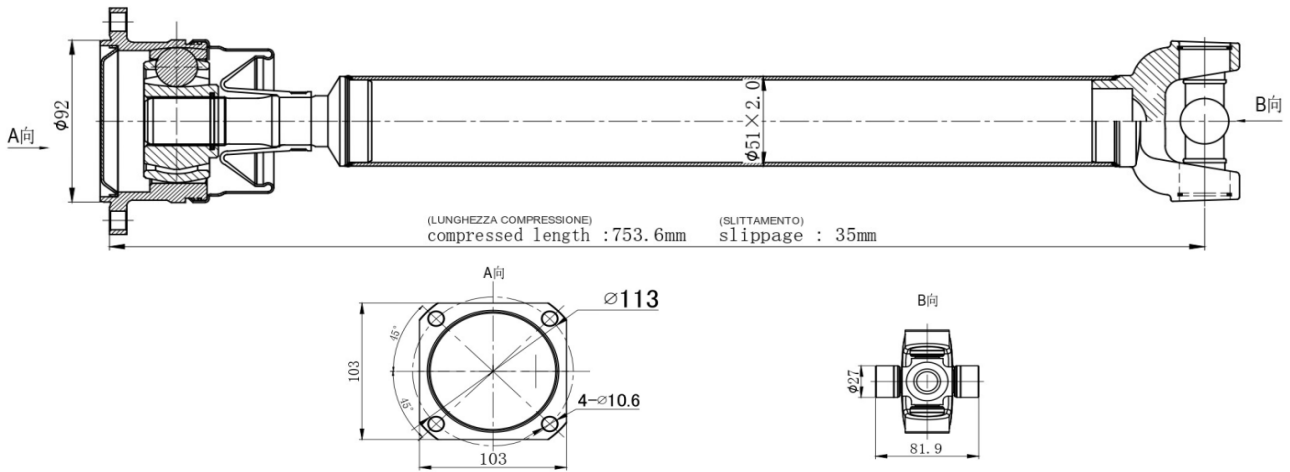
AC-0082



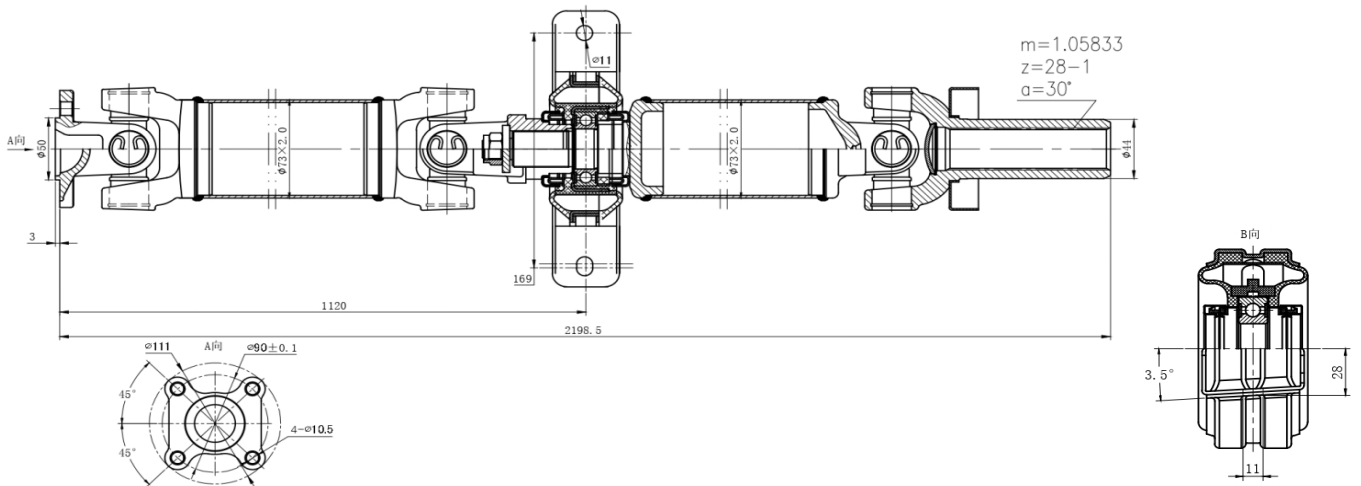
N.B.: I CODICI O.E. ED IL LORO TESTO SONO RIPIPORTATI SOLO A TITOLO INDICATIVO
THE O.E. CODES AND THEIR TEXT ARE REPORTED ONLY FOR INDICATIVE PURPOSE

DISEGNI TECNICI - TECHNICAL DRAWINGS

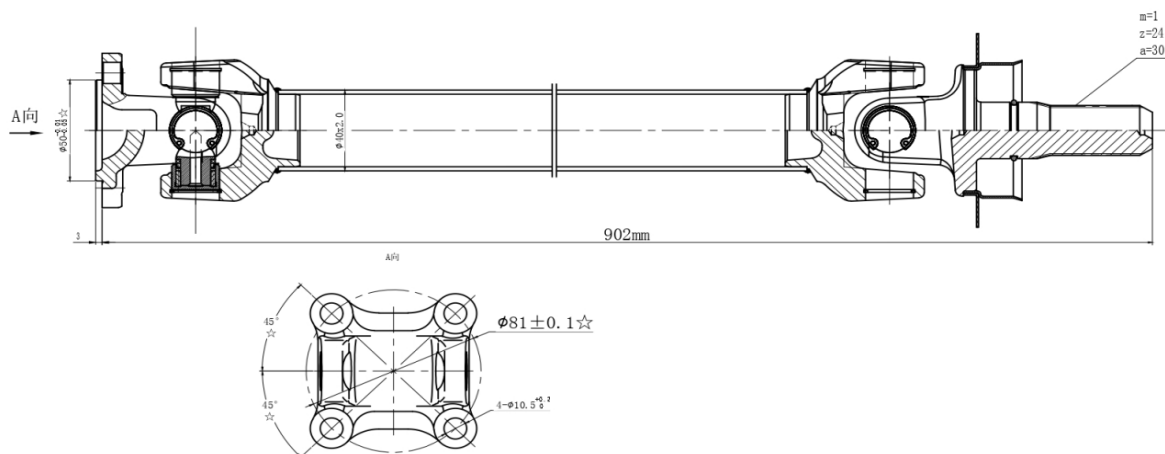
AC-0083



AC-0085



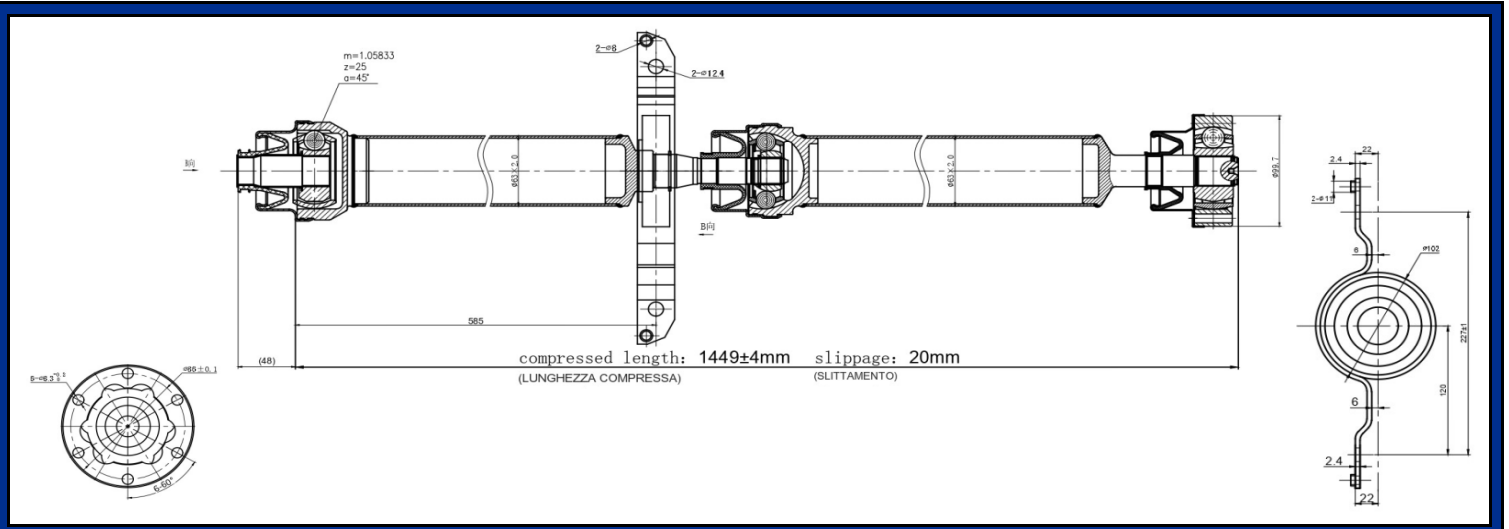
AC-0086



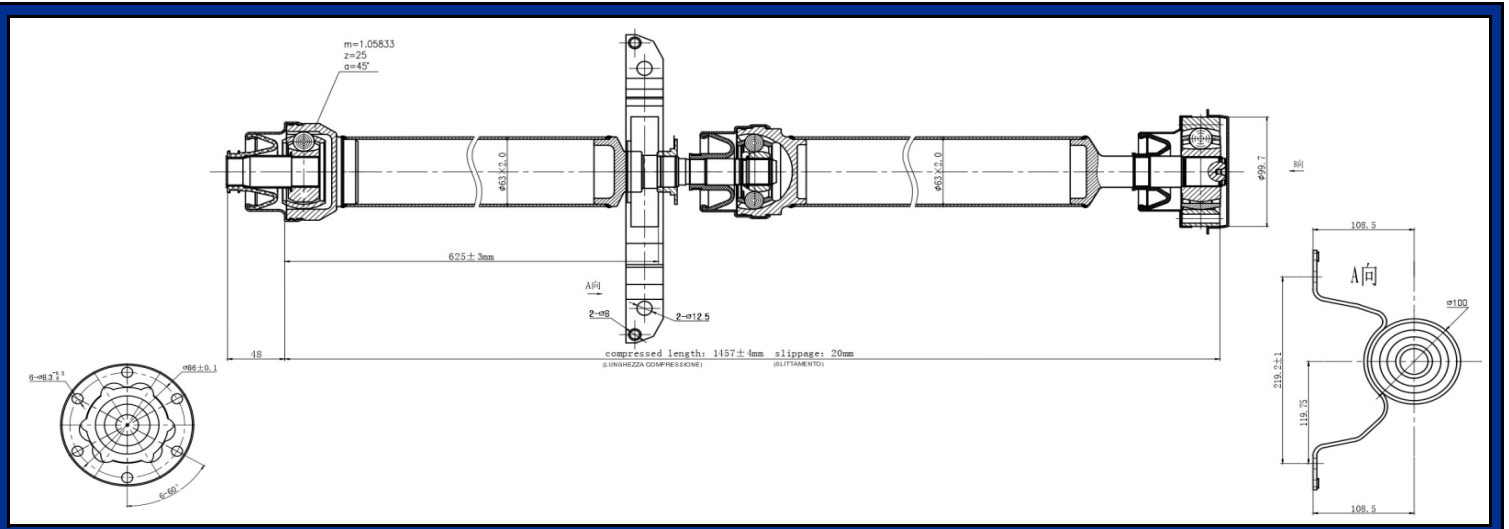
N.B.: I CODICI O.E. ED IL LORO TESTO SONO RIPORTATI SOLO A TITOLO INDICATIVO
 THE O.E. CODES AND THEIR TEXT ARE REPORTED ONLY FOR INDICATIVE PURPOSE

DISEGNI TECNICI - TECHNICAL DRAWINGS

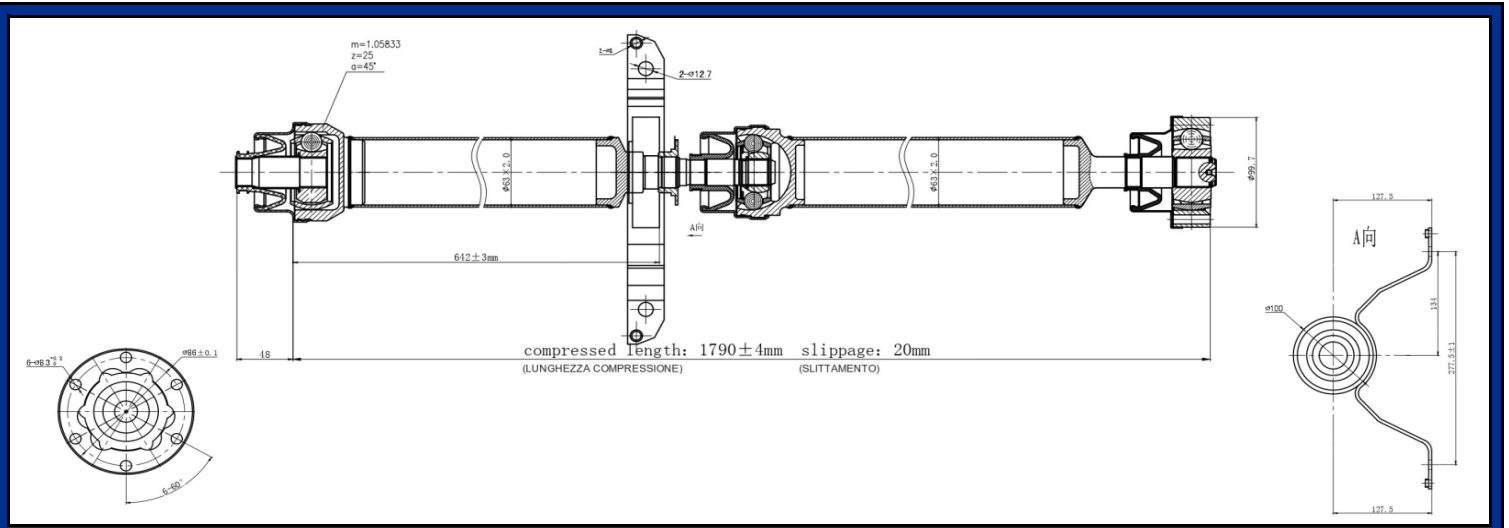
AC-0087



AC-0088



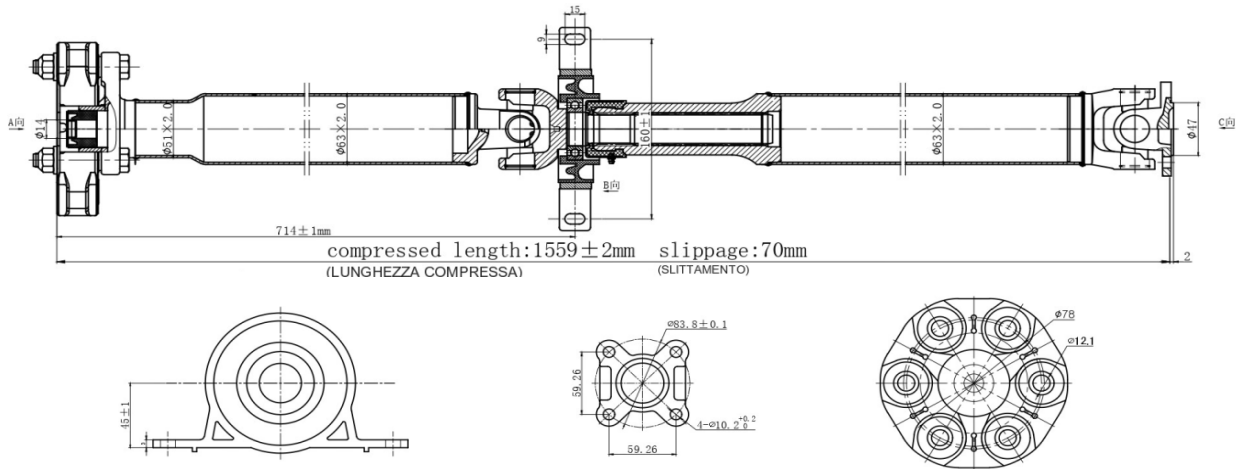
AC-0089



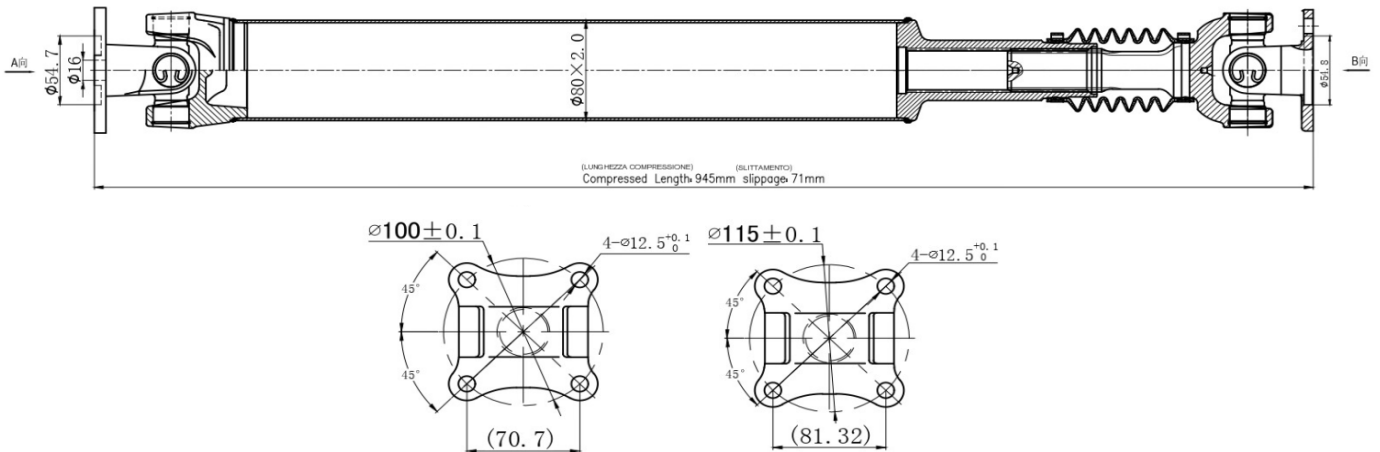
N.B.: I CODICI O.E. ED IL LORO TESTO SONO RIPORTATI SOLO A TITOLO INDICATIVO
 THE O.E. CODES AND THEIR TEXT ARE REPORTED ONLY FOR INDICATIVE PURPOSE

DISEGNI TECNICI - TECHNICAL DRAWINGS

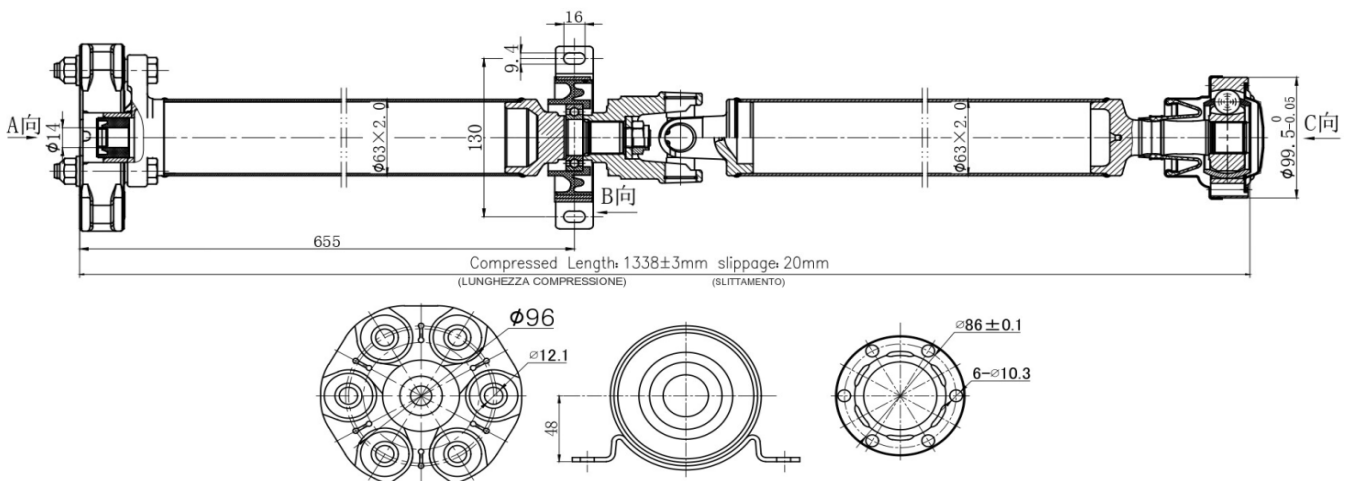
AC-0090



AC-0091



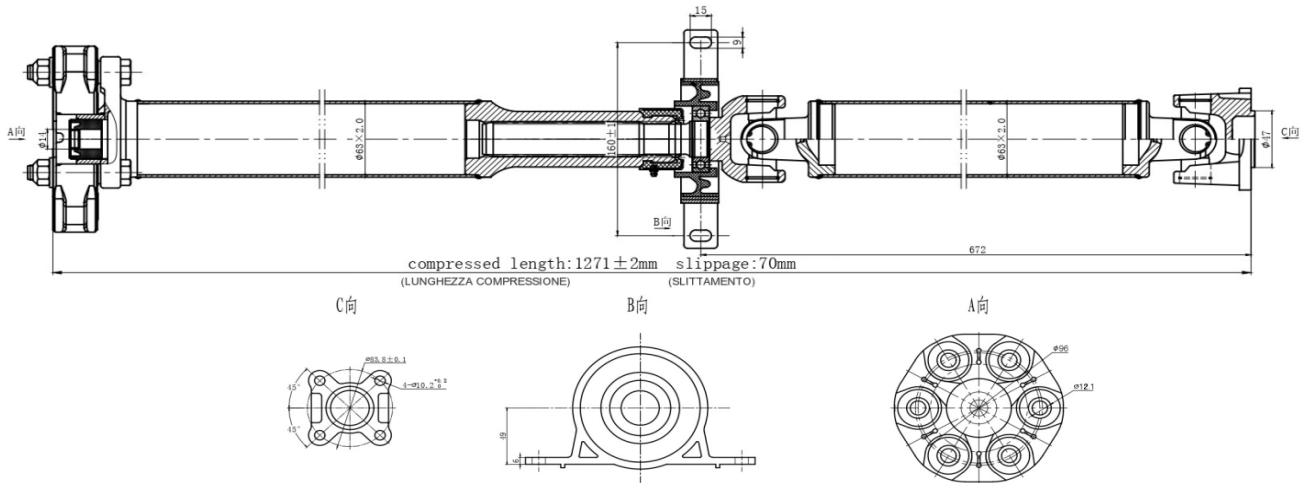
AC-0092



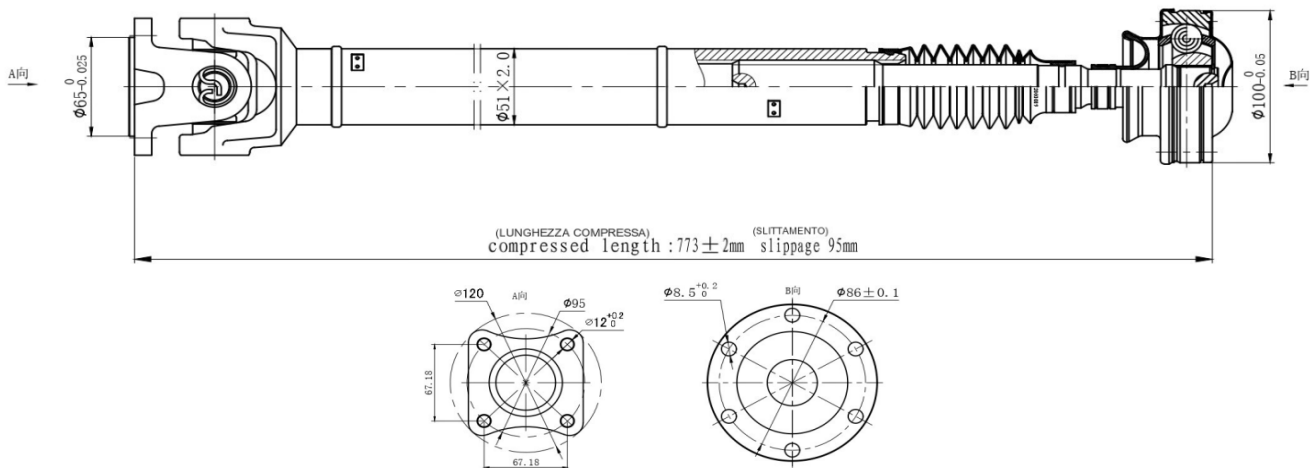
N.B.: I CODICI O.E. ED IL LORO TESTO SONO RIPORTATI SOLO A TITOLO INDICATIVO
 THE O.E. CODES AND THEIR TEXT ARE REPORTED ONLY FOR INDICATIVE PURPOSE

DISEGNI TECNICI - TECHNICAL DRAWINGS

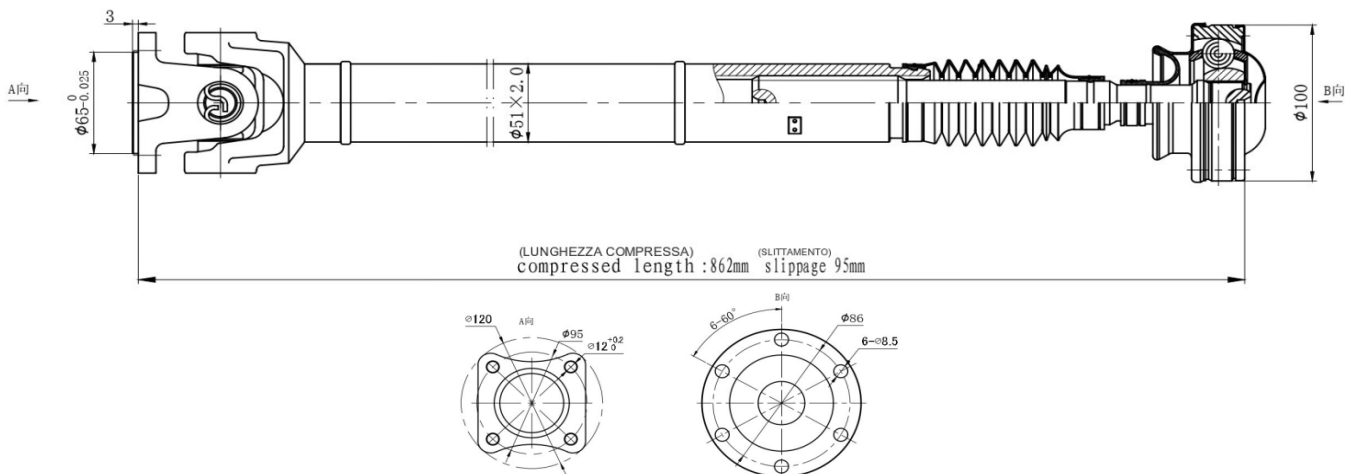
AC-0093



AC-0094



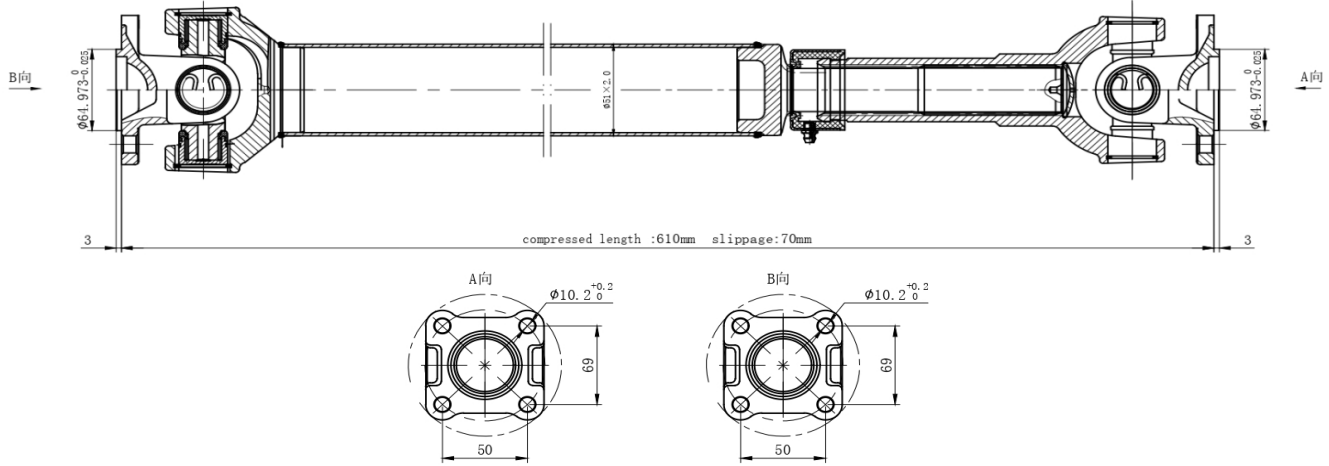
AC-0095



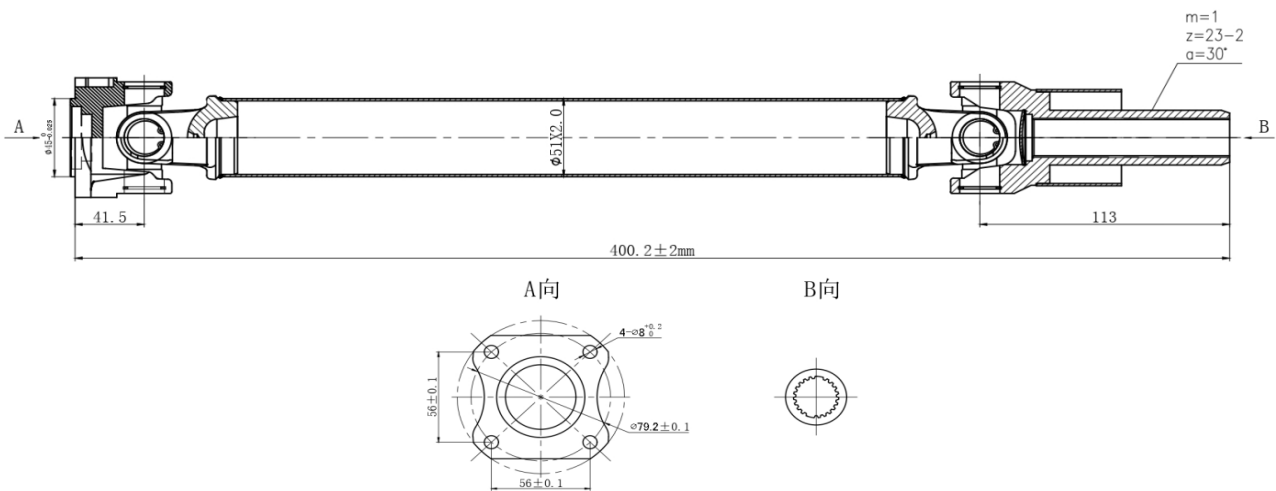
N.B.: I CODICI O.E. ED IL LORO TESTO SONO RIPORTATI SOLO A TITOLO INDICATIVO
 THE O.E. CODES AND THEIR TEXT ARE REPORTED ONLY FOR INDICATIVE PURPOSE

DISEGNI TECNICI - TECHNICAL DRAWINGS

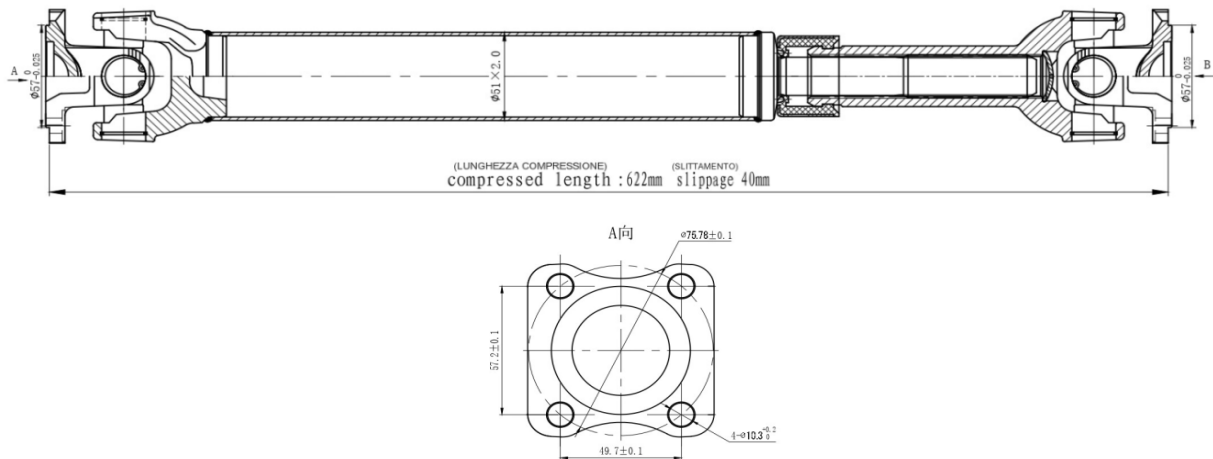
AC-0097



AC-0098



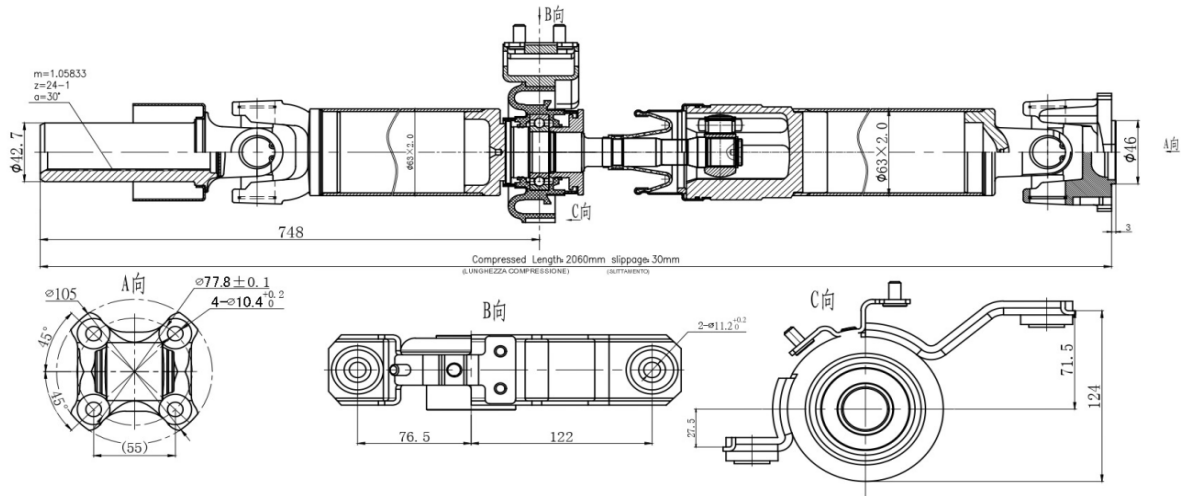
AC-0099



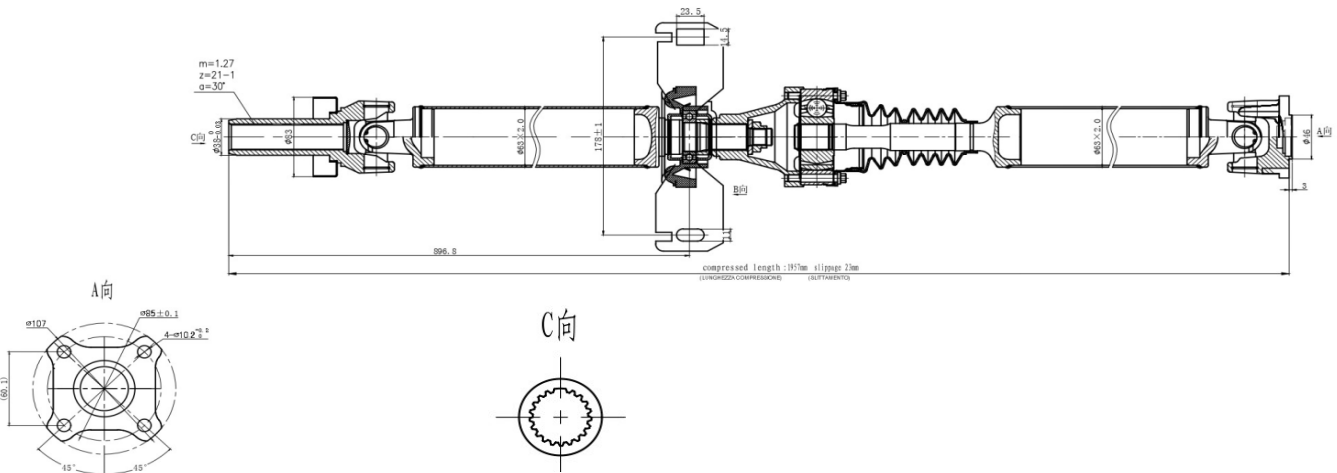
N.B.: I CODICI O.E. ED IL LORO TESTO SONO RIPORTATI SOLO A TITOLO INDICATIVO
THE O.E. CODES AND THEIR TEXT ARE REPORTED ONLY FOR INDICATIVE PURPOSE

DISEGNI TECNICI - TECHNICAL DRAWINGS

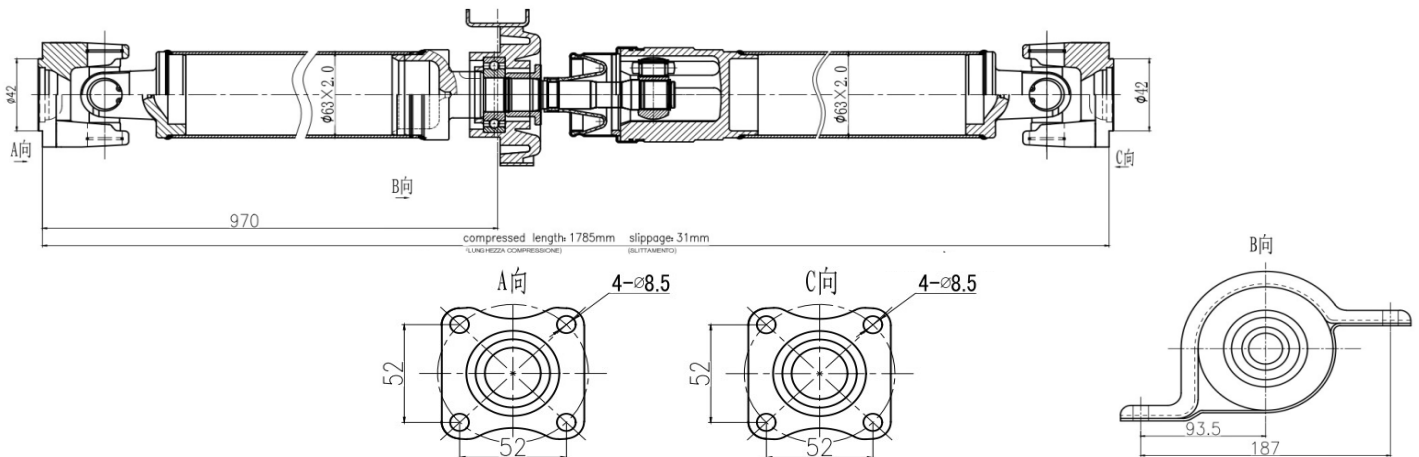
AC-0100



AC-0101



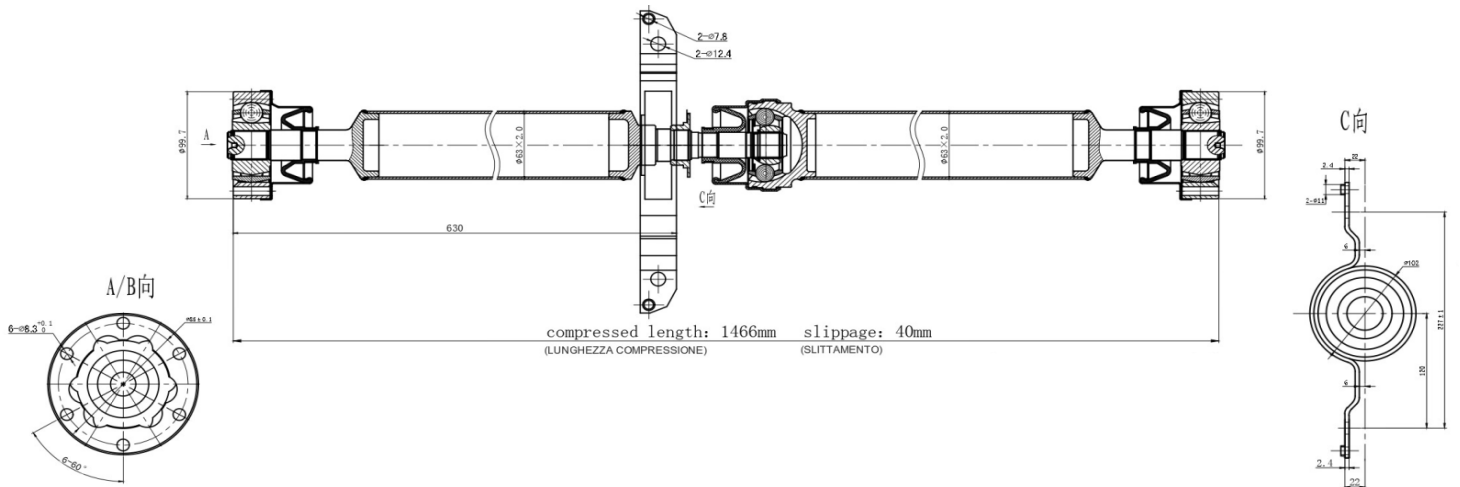
AC-0102



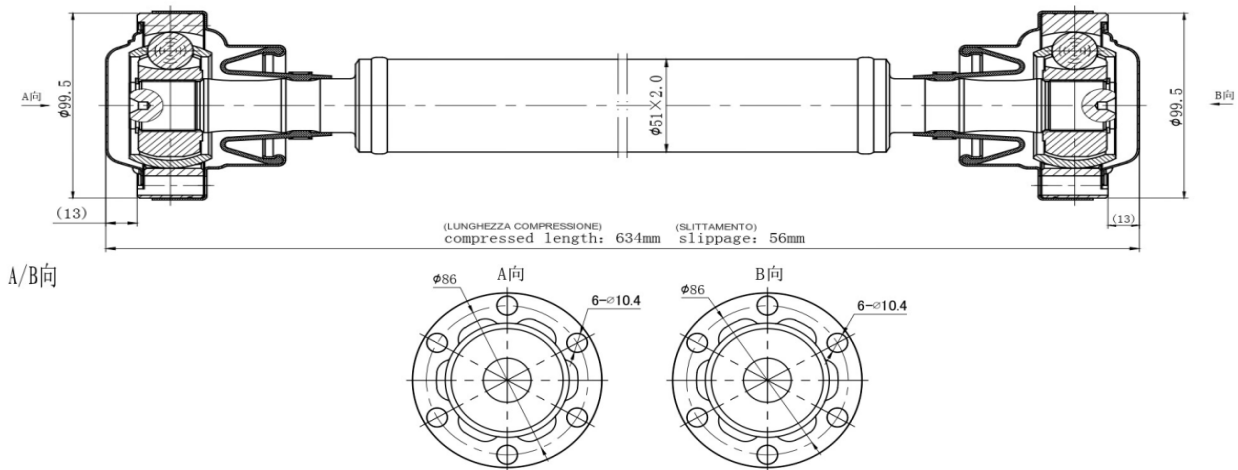
N.B.: I CODICI O.E. ED IL LORO TESTO SONO RIPIRTATI SOLO A TITOLO INDICATIVO
 THE O.E. CODES AND THEIR TEXT ARE REPORTED ONLY FOR INDICATIVE PURPOSE

DISEGNI TECNICI - TECHNICAL DRAWINGS

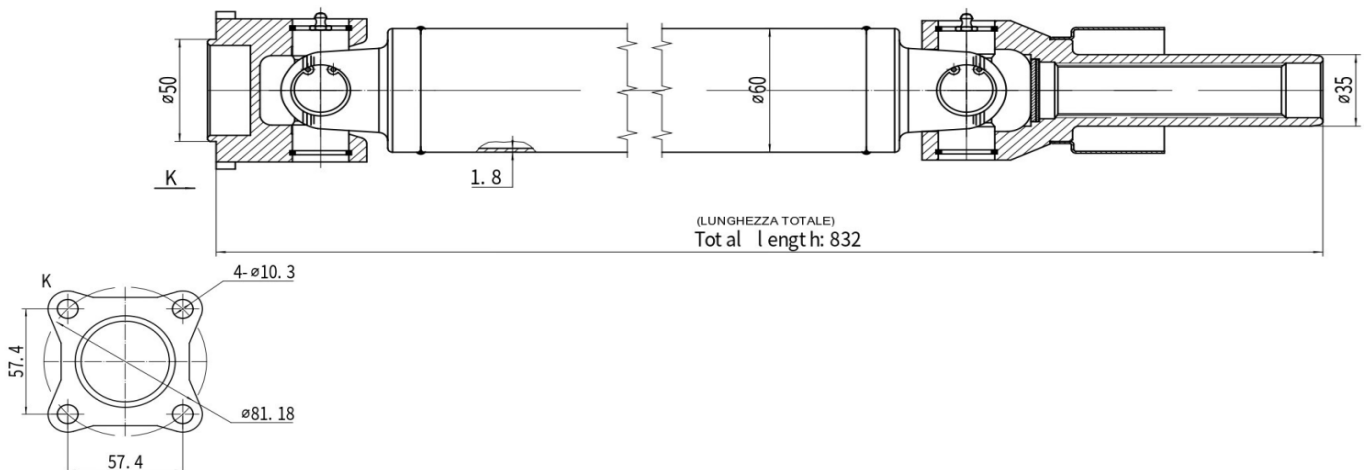
AC-0103



AC-0104



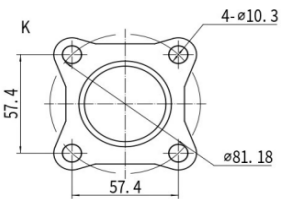
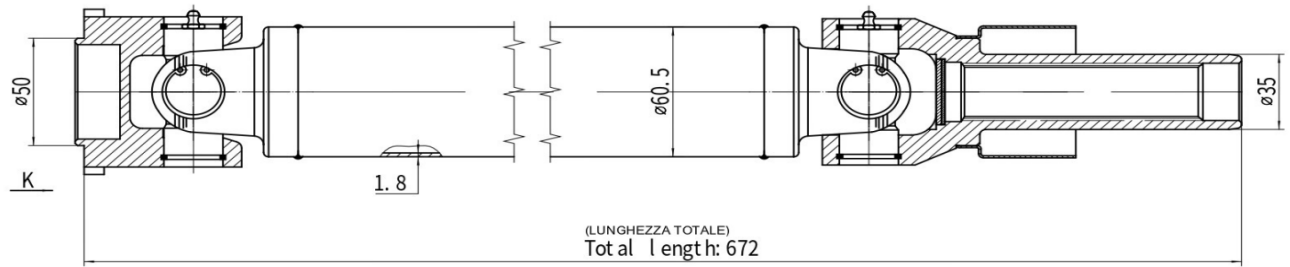
AC-0105



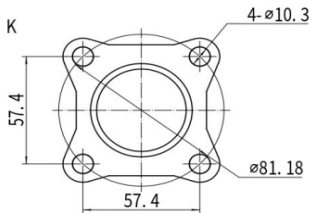
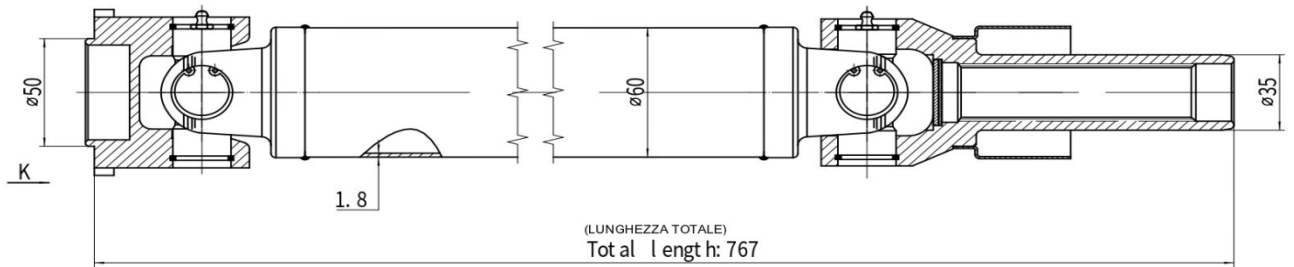
N.B.: I CODICI O.E. ED IL LORO TESTO SONO RIPORTATI SOLO A TITOLO INDICATIVO
 THE O.E. CODES AND THEIR TEXT ARE REPORTED ONLY FOR INDICATIVE PURPOSE

DISEGNI TECNICI - TECHNICAL DRAWINGS

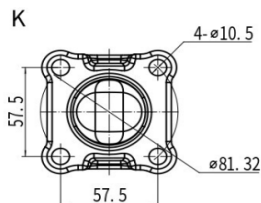
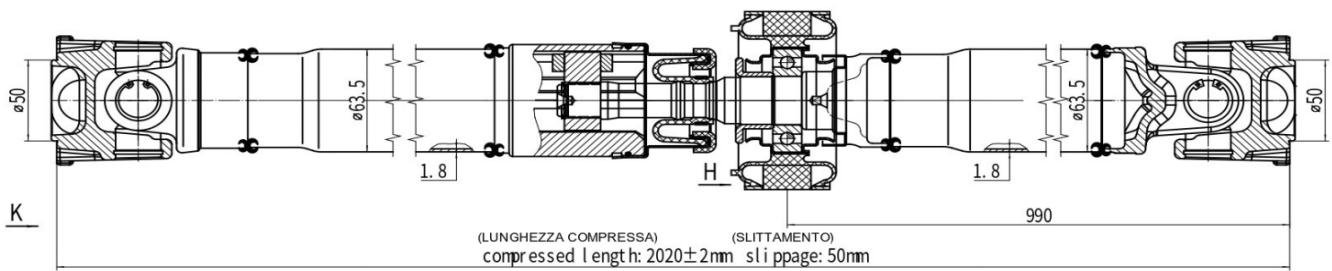
AC-0106



AC-0107



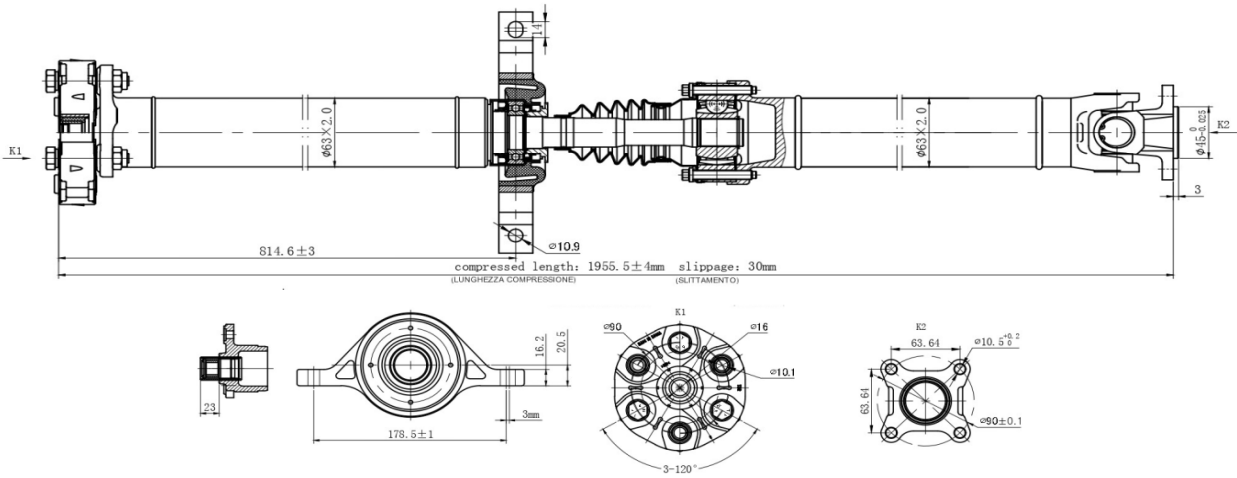
AC-0109



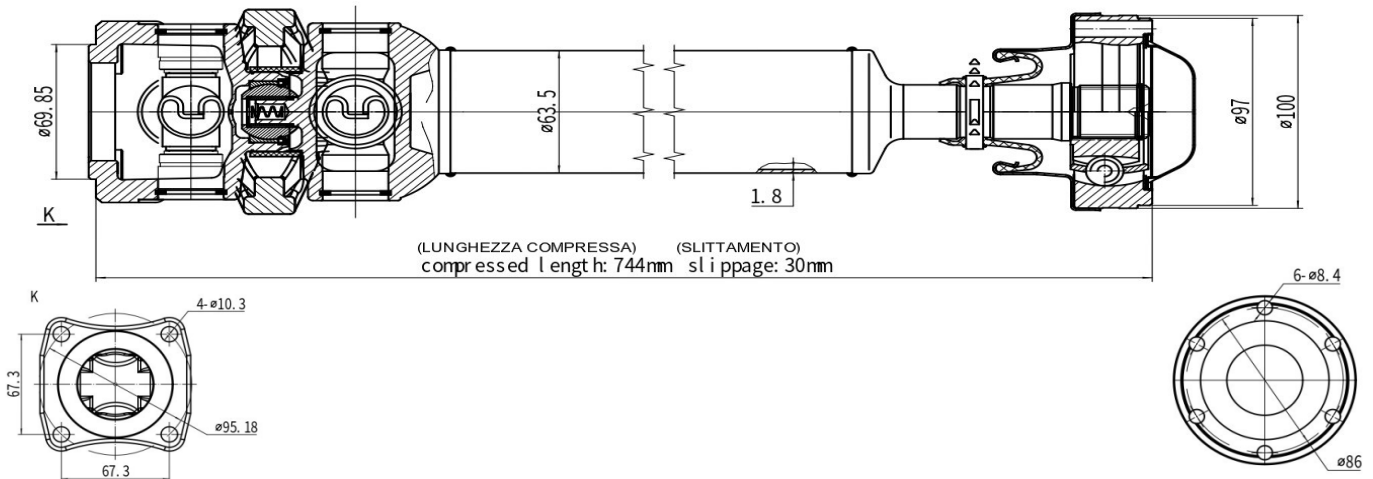
N.B.: I CODICI O.E. ED IL LORO TESTO SONO RIPORTATI SOLO A TITOLO INDICATIVO
THE O.E. CODES AND THEIR TEXT ARE REPORTED ONLY FOR INDICATIVE PURPOSE

DISEGNI TECNICI - TECHNICAL DRAWINGS

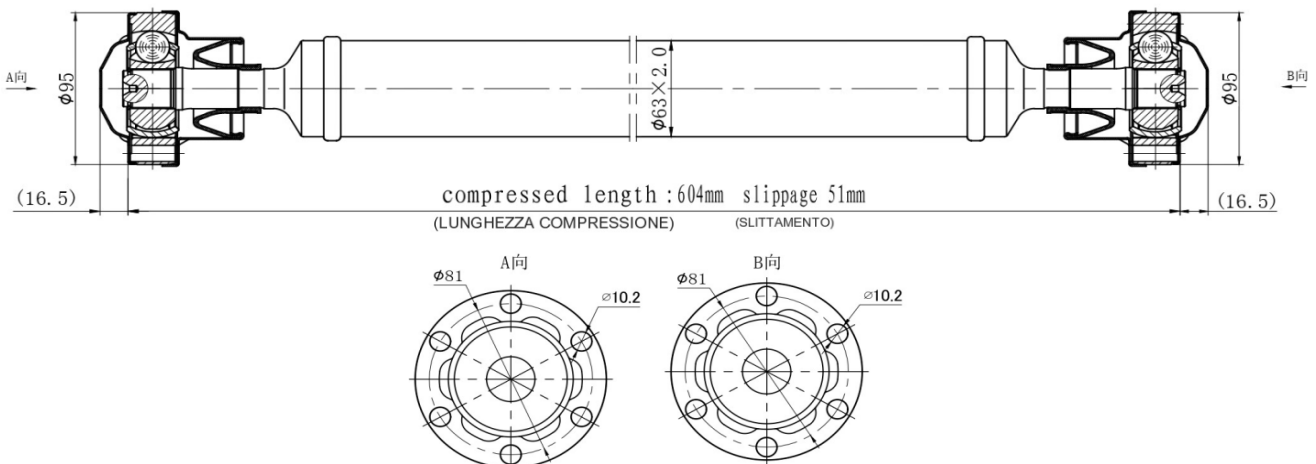
AC-0110



AC-0111



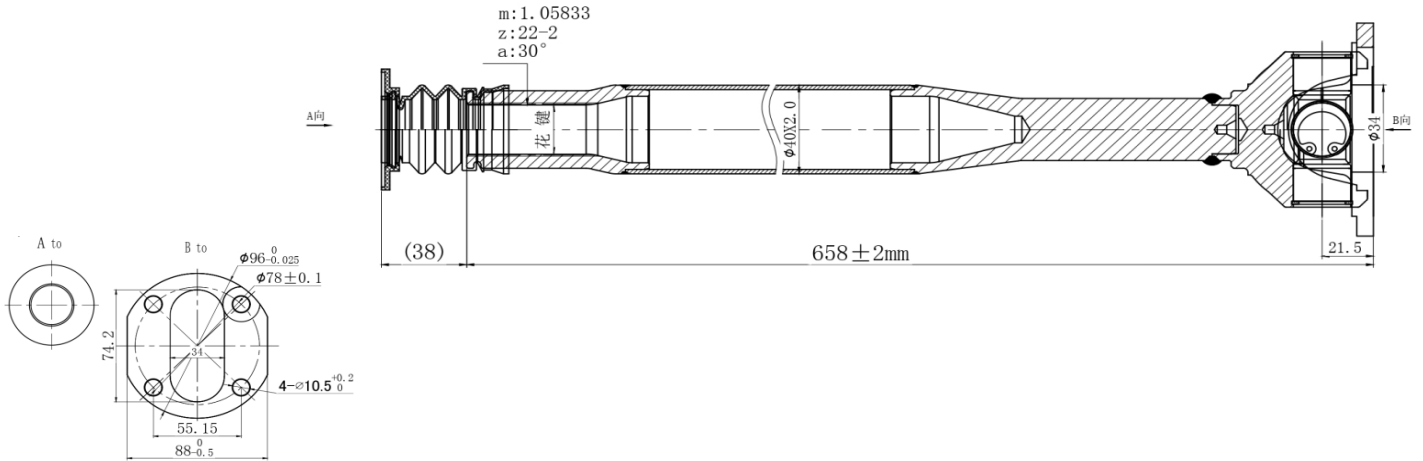
AC-0112



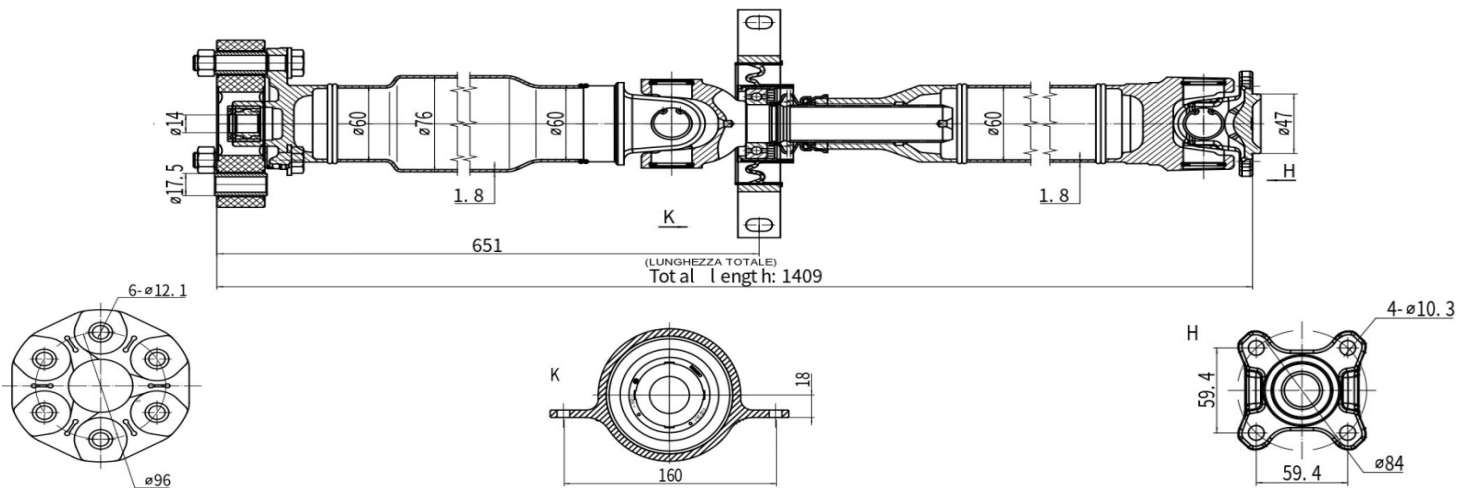
N.B.: I CODICI O.E. ED IL LORO TESTO SONO RIPORTATI SOLO A TITOLO INDICATIVO
 THE O.E. CODES AND THEIR TEXT ARE REPORTED ONLY FOR INDICATIVE PURPOSE

DISEGNI TECNICI - TECHNICAL DRAWINGS

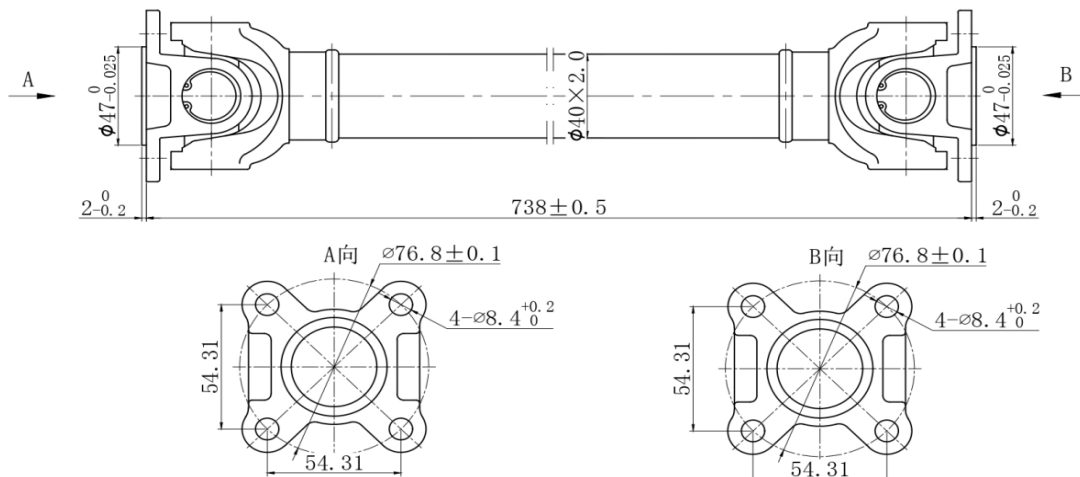
AC-0113



AC-0114



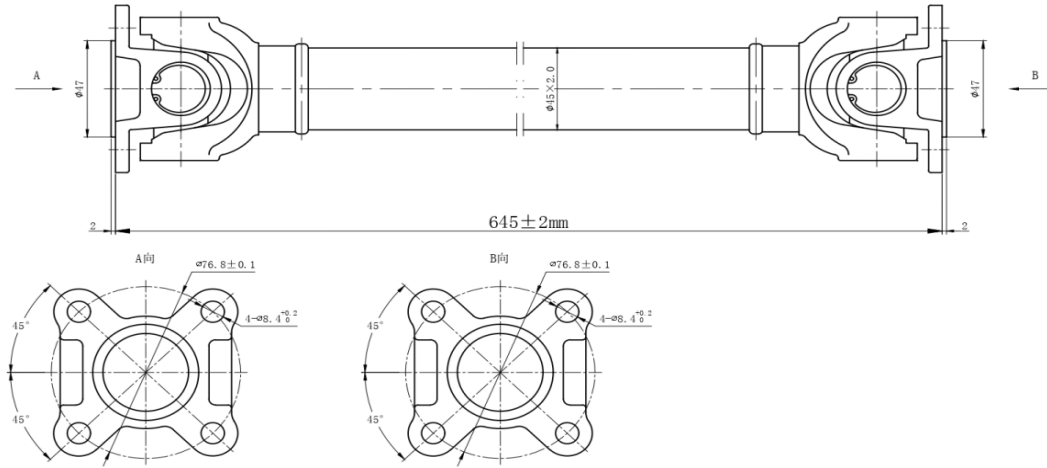
AC-0115



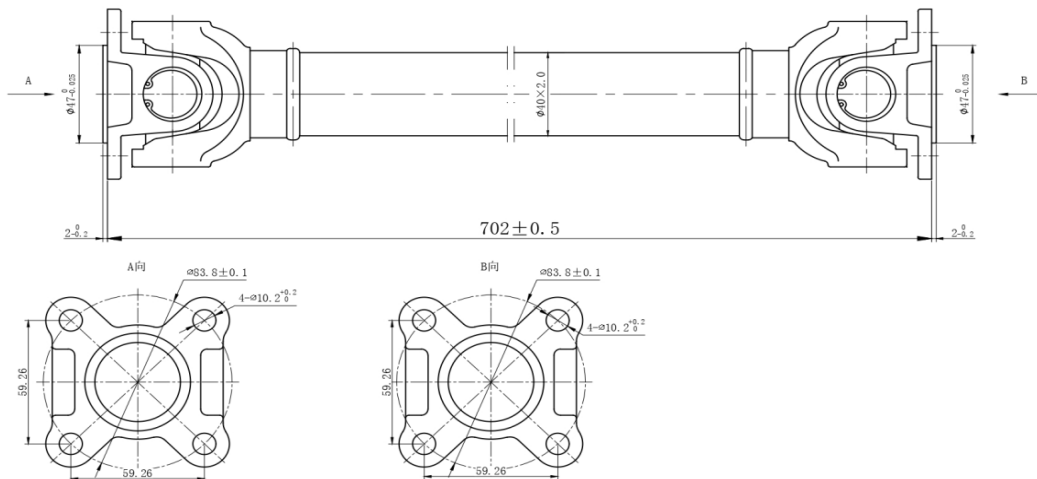
N.B.: I CODICI O.E. ED IL LORO TESTO SONO RIPORTATI SOLO A TITOLO INDICATIVO
THE O.E. CODES AND THEIR TEXT ARE REPORTED ONLY FOR INDICATIVE PURPOSE

DISEGNI TECNICI - TECHNICAL DRAWINGS

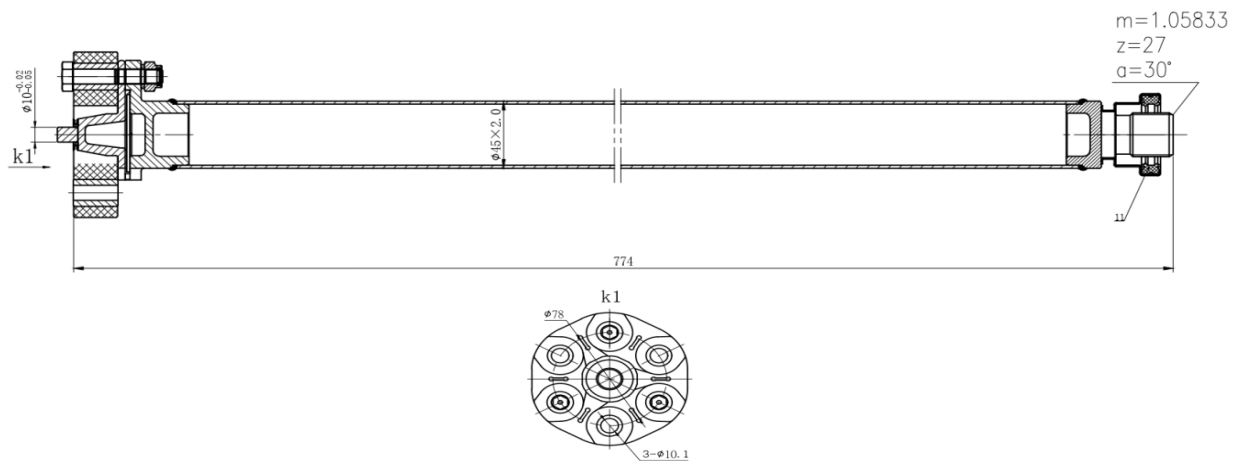
AC-0116



AC-0117



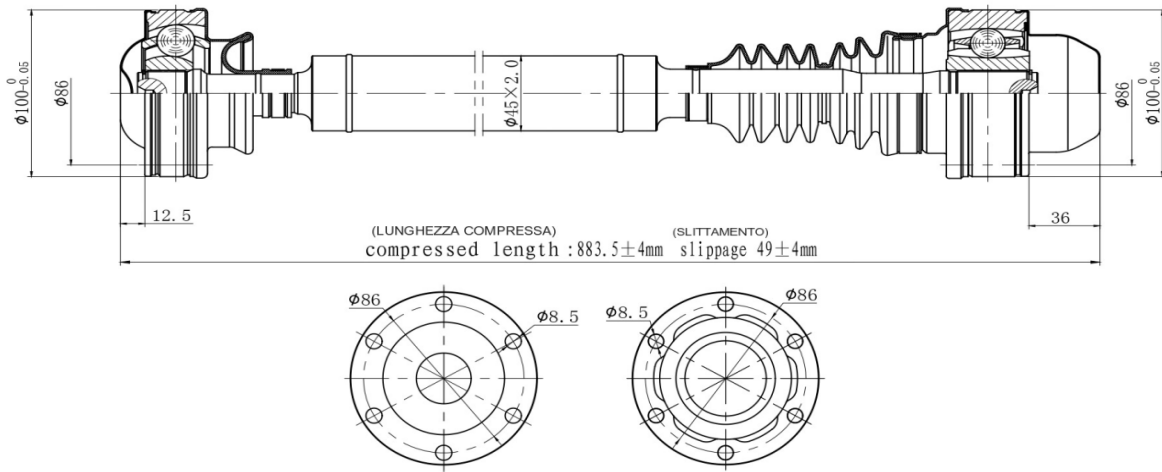
AC-0118



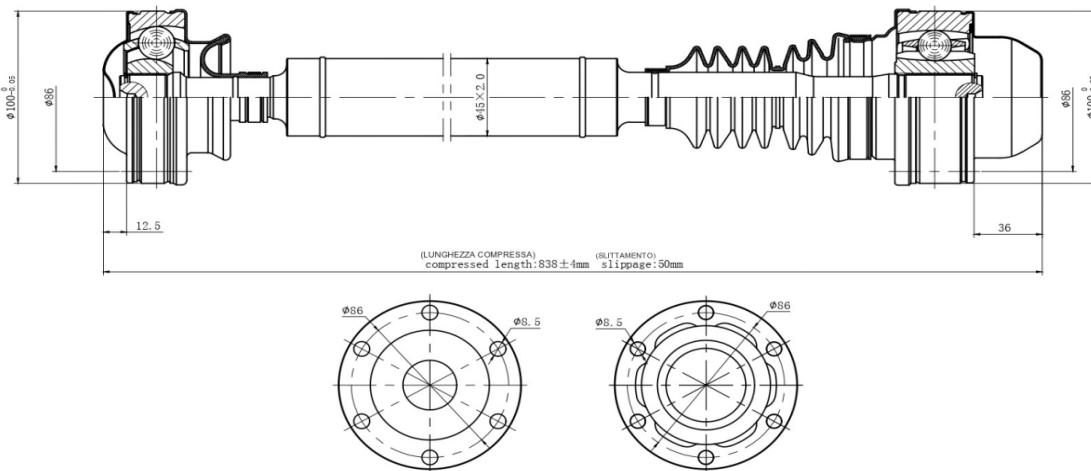
N.B.: I CODICI O.E. ED IL LORO TESTO SONO RIPORTATI SOLO A TITOLO INDICATIVO
 THE O.E. CODES AND THEIR TEXT ARE REPORTED ONLY FOR INDICATIVE PURPOSE

DISEGNI TECNICI - TECHNICAL DRAWINGS

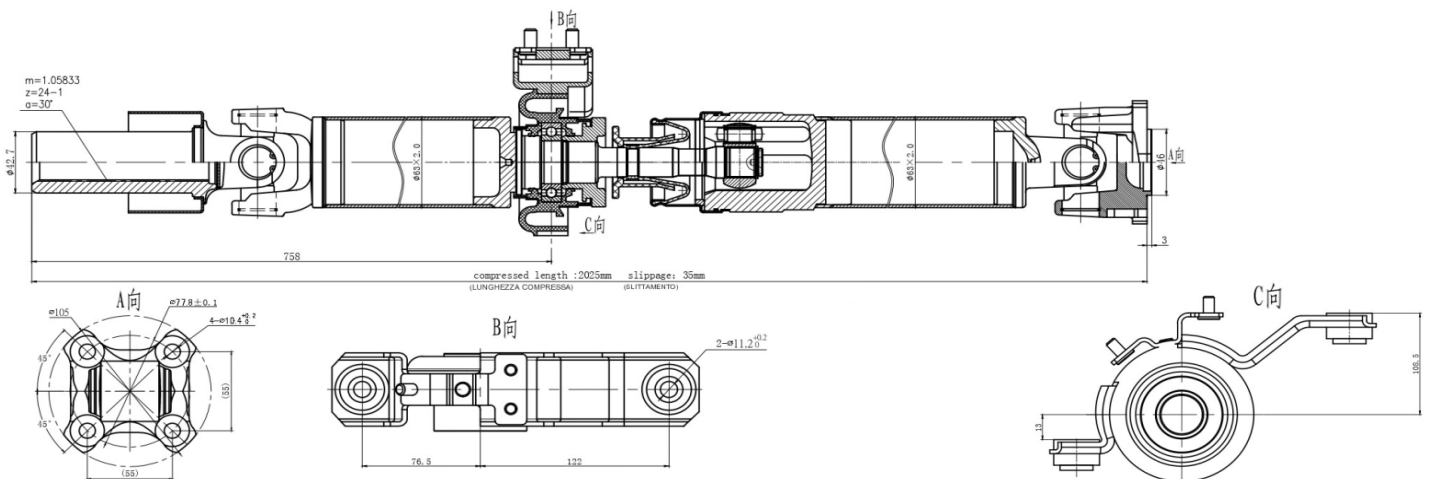
AC-0119



AC-0120



AC-0121



N.B.: I CODICI O.E. ED IL LORO TESTO SONO RIPORTATI SOLO A TITOLO INDICATIVO
 THE O.E. CODES AND THEIR TEXT ARE REPORTED ONLY FOR INDICATIVE PURPOSE

| MARCA (BRAND) | O.E. (OR. NUMB.) | CODICE (CODE) |
|------------------|---------------------|------------------|
| BMW | 26103402134 | AC-0077 |
| BMW | 26103402136 | AC-0093 |
| BMW | 26107524364 | AC-0092 |
| BMW | 26107549298 | AC-0092 |
| BMW | 26107562814 | AC-0044 |
| BMW | 26107591610 | AC-0044 |
| BMW | 26107614658 | AC-0044 |
| BMW | 26107631361 | AC-0044 |
| BMW | 26108693394 | AC-0044 |
| BMW | 26111229557 | AC-0090 |
| BMW | 26117523925 | AC-0090 |
| BMW | 26117550770 | AC-0114 |
| BMW | 26203401609 | AC-0117 |
| BMW | 26207508629 | AC-0118 |
| BMW | 26207529294 | AC-0115 |
| BMW | 26207534636 | AC-0116 |
| BMW | 26207597649 | AC-0014 |
| BMW | 26208605866 | AC-0014 |
| BMW | 26209425907 | AC-0014 |
| CHEVROLET | 0446073 | AC-0025 |
| CHEVROLET | 20781756 | AC-0025 |
| CHEVROLET | 96624771 | AC-0025 |
| CHRYSLER | 68200149AA | AC-0099 |
| CHRYSLER | 68200149AB | AC-0099 |
| CHRYSLER | 68200149AC | AC-0099 |
| CHRYSLER | 68200149AD | AC-0099 |
| CHRYSLER | 68200149AE | AC-0099 |
| CHRYSLER | 936-400 | AC-0099 |
| DAIHATSU | 3714087401 | AC-0072 |
| DAIHATSU | 3714087403 | AC-0072 |
| DAIHATSU | 3714087404 | AC-0072 |
| DAIHATSU | 37140B4020 | AC-0072 |
| DODGE | 5157005AD | AC-0081 |
| DODGE | 5157005AE | AC-0081 |
| DODGE | 5157005AF | AC-0081 |
| DODGE | 68200149AA | AC-0099 |
| DODGE | 68200149AB | AC-0099 |
| DODGE | 68200149AC | AC-0099 |
| DODGE | 68200149AD | AC-0099 |
| DODGE | 68200149AE | AC-0099 |
| DODGE | 936-400 | AC-0099 |
| FIAT | 55193595 | AC-0001 |
| FIAT | 55197051 | AC-0001 |
| FIAT | 55222107 | AC-0001 |
| FIAT | 55249184 | AC-0045 |
| FIAT | 55264146 | AC-0001 |
| FIAT | 55267431 | AC-0045 |
| FIAT | 55267432 | AC-0045 |
| FIAT | 55275848 | AC-0045 |
| FIAT | 55275849 | AC-0045 |
| FIAT | 55283215 | AC-0045 |
| FIAT | 552491840 | AC-0045 |
| FIAT | 552674310 | AC-0045 |
| FIAT | 552674320 | AC-0045 |
| FIAT | 552758480 | AC-0045 |

| MARCA (BRAND) | O.E. (OR. NUMB.) | CODICE (CODE) |
|------------------|---------------------|------------------|
| FIAT | 552832150 | AC-0045 |
| FORD | 1826578 | AC-0067 |
| FORD | 2126752 | AC-0067 |
| FORD | CV614K357AD | AC-0067 |
| FORD | CV614K357AF | AC-0067 |
| HONDA | 40100S10003 | AC-0073 |
| HONDA | 40100S10A01 | AC-0073 |
| HONDA | 40100S9AE01 | AC-0070 |
| HONDA | 40100S9AJ01 | AC-0070 |
| HONDA | 40100SCAA01 | AC-0070 |
| HONDA | 40100SWAA01 | AC-0080 |
| HONDA | 40100SWYE01 | AC-0080 |
| HONDA | 40100SXSA01 | AC-0080 |
| HUMMER | 10376298 | AC-0083 |
| HUMMER | 15860584 | AC-0083 |
| HUMMER | 15878295 | AC-0083 |
| HUMMER | 25859867 | AC-0083 |
| HYUNDAI | 491004A952 | AC-0068 |
| HYUNDAI | 491004A970 | AC-0085 |
| HYUNDAI | 493002S000 | AC-0110 |
| HYUNDAI | 493003S010 | AC-0042 |
| HYUNDAI | 493003W000 | AC-0042 |
| JEEP | 52099498 | AC-0120 |
| JEEP | 05273310AA | AC-0121 |
| JEEP | 4787671AA | AC-0045 |
| JEEP | 52099499AG | AC-0119 |
| JEEP | 52105728AB | AC-0095 |
| JEEP | 52105728AC | AC-0095 |
| JEEP | 52105728AD | AC-0095 |
| JEEP | 52105728AE | AC-0095 |
| JEEP | 52105758AB | AC-0094 |
| JEEP | 52105758AC | AC-0094 |
| JEEP | 52105758AD | AC-0094 |
| JEEP | 52105758AE | AC-0094 |
| JEEP | 52105760AB | AC-0091 |
| JEEP | 52105760AC | AC-0091 |
| JEEP | 52105760AD | AC-0091 |
| JEEP | 52105760AE | AC-0091 |
| JEEP | 52105760AF | AC-0091 |
| JEEP | 52111594AA | AC-0016 |
| JEEP | 52111596AA | AC-0016 |
| JEEP | 52111596AB | AC-0016 |
| JEEP | 52111597AA | AC-0017 |
| JEEP | 68337821AA | AC-0045 |
| JEEP | P52105758AE | AC-0094 |
| JEEP | RL105760AF | AC-0091 |
| KIA | 493003S010 | AC-0042 |
| KIA | 493003W000 | AC-0042 |
| KIA | 491003E110 | AC-0075 |
| LAND ROVER | 5H224365AA | AC-0011 |
| LAND ROVER | 5H224365BA | AC-0019 |
| LAND ROVER | 5H224365BB | AC-0019 |
| LAND ROVER | 5H224365CA | AC-0026 |
| LAND ROVER | 5H324365AA | AC-0026 |
| LAND ROVER | 6G9N7L190FD | AC-0046 |

N.B.: I CODICI O.E. ED IL LORO TESTO SONO RIPORTATI SOLO A TITOLO INDICATIVO
THE O.E. CODES AND THEIR TEXT ARE REPORTED ONLY FOR INDICATIVE PURPOSE

| MARCA (BRAND) | O.E. (OR. NUMB.) | CODICE (CODE) |
|------------------|---------------------|------------------|
| LAND ROVER | 7H223214AA | AC-0011 |
| LAND ROVER | 7H223219AA | AC-0011 |
| LAND ROVER | 9G9N7L190CA | AC-0046 |
| LAND ROVER | 9H527L190AA | AC-0046 |
| LAND ROVER | AH527L190AA | AC-0029 |
| LAND ROVER | BH527L190AA | AC-0046 |
| LAND ROVER | BJ327L190AB | AC-0029 |
| LAND ROVER | EJ327L190CD | AC-0029 |
| LAND ROVER | EJ327L190CE | AC-0029 |
| LAND ROVER | EJ327L190FA | AC-0029 |
| LAND ROVER | FTC5320 | AC-0015 |
| LAND ROVER | FTC5428 | AC-0009 |
| LAND ROVER | FTC5430 | AC-0010 |
| LAND ROVER | LR001157 | AC-0046 |
| LAND ROVER | LR006959 | AC-0046 |
| LAND ROVER | LR007804 | AC-0046 |
| LAND ROVER | LR021552 | AC-0029 |
| LAND ROVER | LR021553 | AC-0046 |
| LAND ROVER | LR023283 | AC-0046 |
| LAND ROVER | LR024750 | AC-0029 |
| LAND ROVER | LR031394 | AC-0029 |
| LAND ROVER | LR037027 | AC-0019 |
| LAND ROVER | LR037027R | AC-0019 |
| LAND ROVER | LR037028 | AC-0026 |
| LAND ROVER | LR049820 | AC-0029 |
| LAND ROVER | LR049821 | AC-0029 |
| LAND ROVER | LR062326 | AC-0029 |
| LAND ROVER | LR072600 | AC-0029 |
| LAND ROVER | LR072601 | AC-0029 |
| LAND ROVER | TVB000090 | AC-0009 |
| LAND ROVER | TVB000100 | AC-0015 |
| LAND ROVER | TVB000110 | AC-0015 |
| LAND ROVER | TVB000190 | AC-0010 |
| LAND ROVER | TVB000220 | AC-0015 |
| LAND ROVER | TVB000320 | AC-0015 |
| LAND ROVER | TVB000320K | AC-0015 |
| LAND ROVER | TVB000450 | AC-0037 |
| LAND ROVER | TVB100370 | AC-0015 |
| LAND ROVER | TVB500160 | AC-0011 |
| LAND ROVER | TVB500270 | AC-0019 |
| LAND ROVER | TVB500360 | AC-0019 |
| LAND ROVER | TVB500360R | AC-0019 |
| LAND ROVER | TVB500370 | AC-0026 |
| LAND ROVER | TVB500390 | AC-0026 |
| LAND ROVER | TVB500510 | AC-0011 |
| LAND ROVER | TVC100010 | AC-0015 |
| LAND ROVER | XH424235CA | AC-0037 |
| MERCEDES | 1634100201 | AC-0076 |
| MERCEDES | 1634100301 | AC-0111 |
| MERCEDES | 1644100501 | AC-0112 |
| MERCEDES | 1764100100 | AC-0043 |
| MERCEDES | 1764100200 | AC-0043 |
| MERCEDES | 2044100000 | AC-0006 |
| MERCEDES | 2044101801 | AC-0113 |
| MERCEDES | 2044107001 | AC-0007 |

| MARCA (BRAND) | O.E. (OR. NUMB.) | CODICE (CODE) |
|------------------|---------------------|------------------|
| MERCEDES | 2204107106 | AC-0078 |
| MERCEDES | 2214103401 | AC-0007 |
| MERCEDES | 2464100000 | AC-0043 |
| MERCEDES | 6394102116 | AC-0064 |
| MERCEDES | 6394103006 | AC-0047 |
| MERCEDES | 6394103106 | AC-0048 |
| MERCEDES | 6394103206 | AC-0049 |
| MERCEDES | 6394103306 | AC-0050 |
| MERCEDES | 6394103406 | AC-0051 |
| MERCEDES | 6394103416 | AC-0066 |
| MERCEDES | 6394103506 | AC-0052 |
| MERCEDES | 6394103516 | AC-0065 |
| MERCEDES | 6394103606 | AC-0053 |
| MERCEDES | 6394103706 | AC-0054 |
| MERCEDES | 6394103906 | AC-0055 |
| MERCEDES | 6394104006 | AC-0056 |
| MERCEDES | 6394104506 | AC-0056 |
| MERCEDES | 6394104606 | AC-0057 |
| MERCEDES | 6394104706 | AC-0058 |
| MERCEDES | 6394104806 | AC-0059 |
| MERCEDES | 6394104906 | AC-0060 |
| MERCEDES | 6394107206 | AC-0064 |
| MERCEDES | 9064100016 | AC-0027 |
| MERCEDES | 9064100106 | AC-0028 |
| MERCEDES | 9064101306 | AC-0027 |
| MERCEDES | 9064101816 | AC-0063 |
| MERCEDES | 9064102016 | AC-0028 |
| MERCEDES | 9064102116 | AC-0028 |
| MERCEDES | 9064103616 | AC-0034 |
| MERCEDES | 9064104106 | AC-0063 |
| MERCEDES | 9064104406 | AC-0028 |
| MERCEDES | 9064107516 | AC-0027 |
| MERCEDES | 639410300680 | AC-0047 |
| MERCEDES | 639410310680 | AC-0048 |
| MERCEDES | 639410320680 | AC-0049 |
| MERCEDES | 639410340680 | AC-0051 |
| MERCEDES | 906410361680 | AC-0034 |
| MERCEDES | 1634100201-39 | AC-0076 |
| MERCEDES | 2044107001-80 | AC-0007 |
| MERCEDES | 9064102116-80 | AC-0028 |
| MITSUBISHI | 3401A022 | AC-0100 |
| MITSUBISHI | 3401A448 | AC-0036 |
| MITSUBISHI | MN168569 | AC-0036 |
| NISSAN | 370003UC3A | AC-0041 |
| NISSAN | 370004BA1A | AC-0074 |
| NISSAN | 370004BA2A | AC-0074 |
| NISSAN | 370007C001 | AC-0106 |
| NISSAN | 370007C002 | AC-0107 |
| NISSAN | 370007C003 | AC-0105 |
| NISSAN | 370008H310 | AC-0109 |
| NISSAN | 37000BR50A | AC-0040 |
| NISSAN | 37000BR50B | AC-0040 |
| NISSAN | 37000BR51A | AC-0041 |
| NISSAN | 37000BR52A | AC-0039 |
| NISSAN | 37000JD000 | AC-0041 |

N.B.: I CODICI O.E. ED IL LORO TESTO SONO RIPORTATI SOLO A TITOLO INDICATIVO
THE O.E. CODES AND THEIR TEXT ARE REPORTED ONLY FOR INDICATIVE PURPOSE

| MARCA (BRAND) | O.E. (OR. NUMB.) | CODICE (CODE) |
|------------------|---------------------|------------------|
| NISSAN | 37000JD200 | AC-0039 |
| NISSAN | 37000JG70A | AC-0041 |
| NISSAN | 37000JG70B | AC-0041 |
| NISSAN | 37000JM100 | AC-0086 |
| NISSAN | 37000JM10A | AC-0086 |
| NISSAN | 37000JM13A | AC-0086 |
| NISSAN | 37000JM14A | AC-0086 |
| NISSAN | 37000JY00C | AC-0033 |
| NISSAN | 37100JM10A | AC-0086 |
| NISSAN | 372005X30A | AC-0005 |
| NISSAN | 37200DY235 | AC-0005 |
| NISSAN | 37200EB300 | AC-0005 |
| NISSAN | 37200EB30A | AC-0005 |
| NISSAN | 65-9480 | AC-0097 |
| PIAGGIO | 264286 | AC-0002 |
| PIAGGIO | 565341 | AC-0002 |
| PIAGGIO | 615339 | AC-0003 |
| PIAGGIO | 615341 | AC-0002 |
| PIAGGIO | 3711087Z24000 | AC-0003 |
| PIAGGIO | CM038106 | AC-0004 |
| PORSCHE | 95542102010 | AC-0018 |
| PORSCHE | 95542102011 | AC-0018 |
| PORSCHE | 95542102012 | AC-0018 |
| PORSCHE | 95542102013 | AC-0018 |
| PORSCHE | 95542102014 | AC-0018 |
| PORSCHE | 95542102015 | AC-0018 |
| PORSCHE | 95542102020 | AC-0018 |
| PORSCHE | 95542102021 | AC-0018 |
| PORSCHE | 95542102022 | AC-0018 |
| PORSCHE | 95542102023 | AC-0018 |
| PORSCHE | 95542102024 | AC-0018 |
| PORSCHE | 95542102025 | AC-0018 |
| PORSCHE | 95B521101A | AC-0087 |
| PORSCHE | 95B521101B | AC-0087 |
| PORSCHE | 95B521101D | AC-0087 |
| PORSCHE | 95B521101S | AC-0087 |
| PORSCHE | 95542102000 | AC-0104 |
| PORSCHE | 95542102001 | AC-0104 |
| PORSCHE | 95542102003 | AC-0104 |
| RENAULT | 7711135224 | AC-0061 |
| RENAULT | 8200058705 | AC-0061 |
| RENAULT | 8200144401 | AC-0062 |
| RENAULT | 8200149811 | AC-0062 |
| RENAULT | 8200945335 | AC-0035 |
| RENAULT | 320003602R | AC-0035 |
| RENAULT | 320006394R | AC-0062 |
| RENAULT | 320007974R | AC-0035 |
| RENAULT | 370002820R | AC-0035 |
| RENAULT | 370005068R | AC-0033 |
| SUZUKI | 2710061M00 | AC-0038 |
| SUZUKI | 2710080J11 | AC-0102 |
| SUZUKI | 2710184C00 | AC-0098 |
| SUZUKI | 2710184C00000 | AC-0098 |
| SUZUKI | 2710282A00 | AC-0079 |
| SUZUKI | 2710384A00 | AC-0071 |

| MARCA (BRAND) | O.E. (OR. NUMB.) | CODICE (CODE) |
|------------------|---------------------|------------------|
| TOYOTA | 3710042060 | AC-0101 |
| TOYOTA | 3710042080 | AC-0020 |
| TOYOTA | 3710042090 | AC-0122 |
| VAG | 2E0521101A | AC-0028 |
| VAG | 2E0521101CB | AC-0034 |
| VAG | 2E0521293 | AC-0027 |
| VAG | 2E1521293 | AC-0028 |
| VAG | 4F0521101B | AC-0082 |
| VAG | 4F0521101F | AC-0082 |
| VAG | 4H4521101B | AC-0089 |
| VAG | 4H4521101D | AC-0089 |
| VAG | 4H4521101F | AC-0089 |
| VAG | 4H4521101H | AC-0089 |
| VAG | 4H4521101R | AC-0089 |
| VAG | 5N0521101 | AC-0024 |
| VAG | 5N0521101A | AC-0024 |
| VAG | 5N0521101C | AC-0024 |
| VAG | 5N0521101E | AC-0024 |
| VAG | 5N0521101EX | AC-0024 |
| VAG | 5N0521101J | AC-0024 |
| VAG | 5N0521101M | AC-0024 |
| VAG | 5N0521101MX | AC-0024 |
| VAG | 5N0521101Q | AC-0024 |
| VAG | 7L0521101A | AC-0104 |
| VAG | 7L0521102B | AC-0018 |
| VAG | 7L0521102C | AC-0018 |
| VAG | 7L0521102D | AC-0018 |
| VAG | 7L0521102E | AC-0018 |
| VAG | 7L0521102F | AC-0018 |
| VAG | 7L0521102G | AC-0018 |
| VAG | 7L0521102H | AC-0018 |
| VAG | 7L0521102M | AC-0018 |
| VAG | 7L0521102N | AC-0018 |
| VAG | 7L5521102A | AC-0018 |
| VAG | 7L5521102B | AC-0018 |
| VAG | 7L5521102C | AC-0018 |
| VAG | 7L6521101 | AC-0013 |
| VAG | 7L6521101A | AC-0013 |
| VAG | 7L6521101C | AC-0013 |
| VAG | 7L6521101E | AC-0013 |
| VAG | 7L6521101G | AC-0013 |
| VAG | 7L6521101L | AC-0013 |
| VAG | 7L6521101N | AC-0013 |
| VAG | 7L6521102B | AC-0021 |
| VAG | 7L6521102C | AC-0021 |
| VAG | 7L6521102D | AC-0021 |
| VAG | 7L6521102E | AC-0021 |
| VAG | 7L6521102F | AC-0021 |
| VAG | 7L6521102G | AC-0018 |
| VAG | 7L6521102H | AC-0021 |
| VAG | 7L6521102J | AC-0018 |
| VAG | 7L6521102M | AC-0018 |
| VAG | 7L6521102N | AC-0021 |
| VAG | 7L6521102P | AC-0018 |
| VAG | 7L6521102Q | AC-0021 |

N.B.: I CODICI O.E. ED IL LORO TESTO SONO RIPORTATI SOLO A TITOLO INDICATIVO
THE O.E. CODES AND THEIR TEXT ARE REPORTED ONLY FOR INDICATIVE PURPOSE

JAPANPARTS S.R.L.

Via della Meccanica, 1/A - 37139 - Verona (IT)

tel. +39 045 8517711 - fax + 39 045 8510714

info@japanparts.it

Japanparts®



www.japanparts.eu